



蓝圣智能装备
LASER INTELLIGENT EQUIPMENT

BR.W7蝶阀系列

选型样本



浙江蓝圣智能装备有限公司
ZHEJIANG LASER INTELLIGENT EQUIPMENT CO.,LTD

公司简介

Company Profile

ZHEJIANG LASEN

INTELLIGENT EQUIPMENT

浙江蓝圣智能装备有限公司，位于风景秀丽的杭州市郊富春江畔，坐落于杭州场口工业园。公司成立于2004年，注册资金1亿元，是集研发、生产、销售、维修控制阀为一体的国家高新技术企业；占地面积10000多平方米，厂房建筑面积约8000平方米，员工110人，其中高级工程师2人，技术工程师8人，中级技工及以上员工15人，大中专文化以上占60%。

公司专业生产各类气动、电动控制阀，并承接控制装置与现场大修、保运等业务，为浙江省高新技术企业，公司已通过ISO9001-2015质量管理体系认证、ISO14001、ISO18001和特种设备制造许可证(编号:TS271047A-2025)、SiL3认证，公司在产品开发过程中，不断引进国际先进技术，采用CAD、CAE、CAM、FEA和有限元分析设计、同时公司设有新产品研发中心、寿命试验中心、高温试验中心、低温试验中心，使所有出厂的产品品质得到保证。公司拥有一支从事多年调节阀研究开发、生产制造和管理、市场销售、成品检验的专业队伍。

经过多年的市场开发和推广,产品已经广泛应用于石化、化工、煤化工、冶金、电力、空分、LNG等各个行业,并一致获得用户的好评。并且积累了大量的工程应用经验,可为广大用户提供专业、可靠、快捷、灵活的全过程工程服务,使用户无后顾之忧。目前企业主要生产高磅级蝶阀、自力式调节阀、气(电)动调节阀、气(电)动切断阀及特种阀门(如锆才、双向钢、各类Ti、哈氏等),产品技术含量高,质量稳定可靠,产品畅销国内外。

公司一直在打造“因为有你,所以更好”的企业文化,同心汇聚,创造辉煌。一贯秉承“用心铸就品质,真心服务用户”的企业经营理念,来赢取用户的尊重和选择。

Zhejiang Lasen intelligent equipment Co., LTD., located in Hangzhou Changkou Industrial Park, is located in the beautiful suburb of Hangzhou Fuchun River bank. Founded in 2004 with a registered capital of 100 million yuan, the company is a national high-tech enterprise integrating research and development, production, sales and maintenance of control valves. Covers an area of more than 10,000 square meters, plant building area of about 8,000 square meters, 110 employees, including 2 senior engineers, 8 technical engineers, intermediate technicians and above 15 employees, college and technical secondary school education accounting for 60%.

The company specializes in the production of all kinds of pneumatic and electric control valves, and to undertake control devices and on-site overhaul, transportation and other businesses, as a high-tech enterprise in Zhejiang Province, The company has passed ISO9001-2015 quality management system certification, ISO14001, ISO18001 and special equipment manufacturing license (No. :TS271047A-2025), SiL3 certification, the company in the process of product development, constantly introduce international advanced technology, Using CAD, CAE, CAM, FEA and finite element analysis and design, the company has new product research and development center, life test center, high temperature test center, low temperature test center, so that all the products of the factory quality is guaranteed. The company has a professional team engaged in the research and development, production and management, marketing and sales of regulating valves for many years.

After years of market development and promotion, the products have been widely used in petrochemical, chemical, coal chemical, metallurgy, electric power, air separation, LNG and other industries, and has been consistently praised by users. And has accumulated a large number of engineering application experience, can provide professional, reliable, fast, flexible whole process engineering services for the majority of users, users have no worries. At present, the enterprise mainly produces high-pound butterfly valve, self-operated regulating valve, gas (electric) regulating valve, gas (electric) cutting valve and special valve (such as zirconium, two-way steel, all kinds of Ti, Hastelloy, etc.), the product technical content is high, the quality is stable and reliable, the products sell well at home and abroad.

The company has been creating a "because of you, so better" corporate culture, concentric convergence, create brilliant. Always adhering to the "hard cast quality, sincere service to users" business philosophy, to win the respect and choice of users.

目录 CONTENTS

BR.W7蝶阀系列 BR.W7 BUTTERFLY VALVES SERIES

| | |
|---------------------------------------------------------------------------------------------|----|
| BR.W73E系列三偏心蝶阀 BR.W73E Series three eccentric butterfly valves | 01 |
| BR.W72W系列双偏心蝶阀BR.W72W Series double eccentric butterfly valve | 14 |
| BR.W71F系列衬里蝶阀BR.W71F Series lined butterfly valves | 26 |
| BR.W76S系列低负载调节蝶阀BR.W76S Series low load regulating butterfly valves | 34 |
| 附录Appendix | 45 |
| 附录A: 阀体的使用温度·压力范围Appendix A: Valve body temperature and pressure range | 45 |
| 附录B: 阀内件、填料的使用温度·压力范围 Appendix B: Valve Trim、Packing temperature and pressure range..... | 47 |
| 附录C: 常用材料牌号对照表Appendix C: Comparison table of commonly used material grades | 48 |
| 附录D: 常用材料选用表Appendix D: Selection list of common materials..... | 49 |
| 附录E: 型号编制说明 Appendix E: Model specification | 51 |

BR.W73E系列三偏心蝶阀

BR.W73E Series three eccentric butterfly valves

阀本体 VALVE BODY

| | |
|-----------------------------------|--------------------------------------------------------------------------------------------------------------------|
| 型式 Type | 三偏心 Three eccentric type |
| 公称通径 Body size | 80 ~ 2000 mm(3" ~ 80") |
| 公称压力 Body ratings | PN16, 25, 40, 63, 100, 160 ANSI CLASS 150, 300, 600, 900 |
| 连接方式 Connections | 法兰式 (RF、MFM、RJ) Flanged(RF、MFM、RJ) 焊接式 (BW) Weld ends (BW) 对夹式 Wafer |
| 法兰标准 Flange standard | HG/T20592 HG/T20615 ANSI B16.5 |
| 阀体及阀盖材质 Body & Bonnet Material | LCB WCB WC6 WC9 CF8 CF8M CF3 CF3M A105 F304 F22…… |
| 上阀盖型式 Bonnet type | 标准型 Standard type -29 ~ +200 °C 散热型 Fin-Extension type +200 ~ +560 °C 低温型 Low temperature type -196 ~ -29 °C |
| 填料 Packing | V型聚四氟乙烯 V-PTFE 柔性石墨 Flexible Graphite |
| 流量特性 Characteristics | 近似等百分比 Approximate equal percentage |
| 可调比 R Rangeability R | 50:1 |
| 泄漏量 Seat leakage | 硬密封 Hard seal: IV级, V级, VI级 |
| 涂层 Painting color | 按要求 As required 不锈钢阀体不涂漆 Stainless steel body have no paint |

执行机构 ACTUATOR

| | 活塞式 Piston type | 全电子式 Solid state electronic type | 电动式 Electrodynamic |
|---------------------------------------|------------------------------------------------------------------------------------------------------------------------------------------------------------------|--------------------------------------------------------------------------------------------------------|-------------------------------------------|
| 用途 Use | 调节、开关 Modulation or On-off | 调节、开关 Modulation or On-off | 调节、开关 Modulation or On-off |
| 气源 / 电源 Air supply or power supply | 0.4 ~ 0.6MPa | 220V.AC 50Hz 380V.AC 50Hz | 220V.AC 50Hz 380V.AC 50Hz |
| 接口 Connection | Rc1/4", Rc1/2", Rc3/8" | 配线 :2-G1/2" | 配线 :2-G1/2" |
| 正作用 Direct action | 气压增加阀闭 Air to valve shut | 输入信号增加阀闭 Signal increase to valve shut | 输入信号增加阀闭 Signal increase to valve shut |
| 反作用 Reverse action | 气压增加阀开 Air to valve open | 输入信号增加阀开 Signal increase to valve open | 输入信号增加阀开 Signal increase to valve open |
| 死区 Dead band | ≤ 1.5% (带定位器) | ≤ 1.5% | ≤ 2.5% |
| 回差 Hysteresis | ≤ 0.5% (带定位器) | ≤ 1.5% | ≤ 2.5% |
| 环境温度 Ambient Temp. | -40 ~ +70 °C | -10 ~ +60 °C | |
| 可选阀门附件 Optional valve attachment | 电气阀门定位器, 过滤减压器, 电磁阀, 限位开关, 保位阀, 手动装置 Electrical valve positioner, filter pressure reducer, solenoid valve, Limit switch, position saving valve, manual device | 微动开关、电位器、空间加热器、接线盒、手动手柄等 Microswitch, potentiometer, space heater, junction box, manual handle, etc | |

材质 MATERIAL

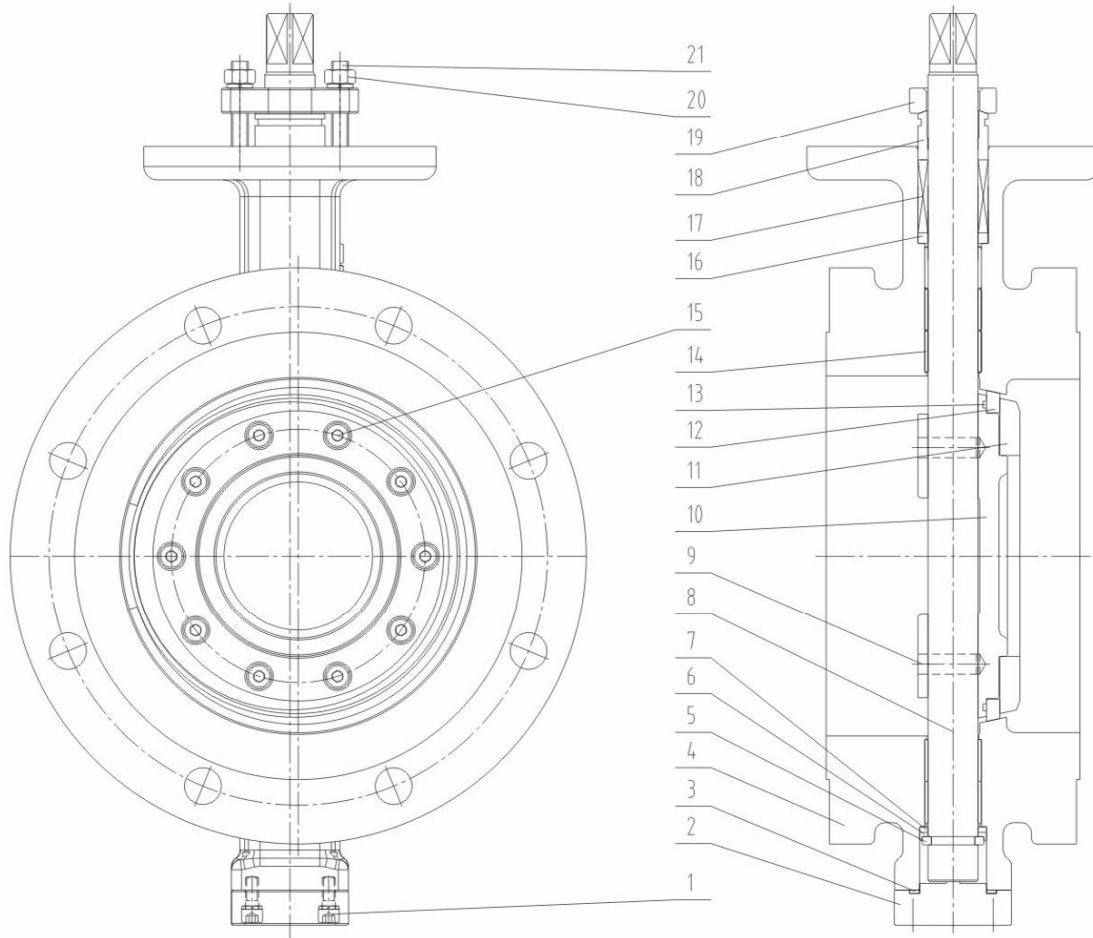
| | | | | |
|----------------------|--------------|------------|-------------|-------------|
| 阀体 Body | WCB WCC A105 | | WC6 WC9 F22 | |
| 阀板 Disc | WCB WCC A105 | | WC6 WC9 F22 | |
| 阀杆 Stem | 17-4PH | XM-19 | XM-19 | Inconel 718 |
| 阀座 Seat | F22 渗氮 | 316L+STL | F22 渗氮 | F22+STL |
| 密封圈 Sealing ring | 316L+ 复合材料 | 316L+STL | 316L+ 复合材料 | F22+STL |
| 压圈 Clamping ring | A105 | | F22 | |
| 填料 Packing | GRAP | | GRAP | |
| 垫圈 Gasket | 316L+ GRAP | | 316L+ GRAP | |
| 使用温度 Operating Temp. | -29~320 °C | -29~420 °C | -29~420 °C | 420~560 °C |
| 阀座泄漏量 Seat Leakage | V、VI | IV、V、VI | V、VI | IV、V、VI |

| | | | | | |
|----------------------|----------------------|----------|--------------------|------------|------------|
| 阀体 Body | CF3 CF3M F304L F316L | | CF8 CF8M F304 F316 | | CK20 310 |
| 阀板 Disc | CF3 CF3M F304L F316L | | CF8 CF8M F304 F316 | | CK20 310 |
| 阀杆 Stem | XM-19 | | 17-4PH | GR660 | GR660 |
| 阀座 Seat | 316L+STL | 316L+STL | 316L+STL | 316L+STL | 310+STL |
| 密封圈 Sealing ring | 316L+ 复合材料 | 316L+STL | 316L+ 复合材料 | 316L+STL | 310+STL |
| 压圈 Clamping ring | 316L | | 304 | | 310 |
| 填料 Packing | GRAP | | GRAP | | GRAP |
| 垫圈 Gasket | 316L+ GRAP | | 316L+ GRAP | | 321+ GRAP |
| 使用温度 Operating Temp. | -192~-40 °C | | -40~320 °C | -40~560 °C | 420~800 °C |
| 阀座泄漏量 Seat Leakage | V、VI | IV、V、VI | V、VI | IV、V、VI | IV、V、VI |

额定Cv RATED CV

| DN | Class 150 PN16/25 | DN | Class 150 PN16/25 | DN | Class 300 PN40 | DN | Class 300 PN40 |
|-----|----------------------|------|----------------------|-----|-------------------|------|-------------------|
| 80 | 240 | 500 | 10460 | 80 | 220 | 500 | 9730 |
| 100 | 380 | 600 | 15290 | 100 | 350 | 600 | 14210 |
| 125 | 600 | 700 | 20730 | 125 | 560 | 700 | 19270 |
| 150 | 910 | 800 | 27340 | 150 | 840 | 800 | 25420 |
| 200 | 1610 | 900 | 34810 | 200 | 1490 | 900 | 32370 |
| 250 | 2550 | 1000 | 42890 | 250 | 2370 | 1000 | 39890 |
| 300 | 3720 | 1100 | 52120 | 300 | 3450 | 1100 | 48470 |
| 350 | 5010 | 1200 | 61840 | 350 | 4660 | 1200 | 57510 |
| 400 | 6660 | 1300 | 72570 | 400 | 6190 | 1300 | 67490 |
| 450 | 8710 | 1400 | 83460 | 450 | 8100 | 1400 | 77610 |

阀体结构 BODY CONSTRUCTION



01

| 序号 NO | 名称 Name | 序号 NO | 名称 Name | 序号 NO | 名称 Name |
|-------|---------------------|-------|---------------------|-------|-----------------------|
| 1 | 螺钉 Screw | 8 | 阀杆 Stem | 15 | 螺钉 Screw |
| 2 | 底盖 Bottom | 9 | 圆柱销 Cylindrical pin | 16 | 填料垫 Packing seat |
| 3 | 垫圈 Gasket | 10 | 阀板 Disc | 17 | 填料 Packing |
| 4 | 阀体 Body | 11 | 压圈 Compression ring | 18 | 压套 Pressing sleeve |
| 5 | 止推垫 Thrust pad | 12 | 密封环 Sealing ring | 19 | 压板 Pressure plate |
| 6 | 止推轴承 Thrust bearing | 13 | 垫圈 Gasket | 20 | 六角螺母 Nut |
| 7 | 止推环 Thrust ring | 14 | 轴套 Axle sleeve | 21 | 双头螺柱 Double end studs |

流量特性 FLOW CHARACTERISTICS

| 公称通径 Body size | | Class 150/PN16/25 | | | | | | | | |
|-------------------|-----|------------------------|------|-------|-------|-------|-------|-------|-------|-------|
| DN | IN | 阀门开度 % Valve opening % | | | | | | | | |
| | | 10° | 20° | 30° | 40° | 50° | 60° | 70° | 80° | 90° |
| 80 | 3" | 13 | 29 | 46 | 69 | 103 | 157 | 193 | 223 | 240 |
| 100 | 4" | 20 | 43 | 67 | 102 | 150 | 228 | 308 | 356 | 380 |
| 150 | 6" | 48 | 103 | 160 | 243 | 360 | 551 | 741 | 860 | 910 |
| 200 | 8" | 85 | 183 | 284 | 434 | 641 | 979 | 1321 | 1530 | 1610 |
| 250 | 10" | 135 | 292 | 452 | 691 | 1022 | 1568 | 2100 | 2427 | 2550 |
| 300 | 12" | 197 | 424 | 657 | 1005 | 1488 | 2280 | 3058 | 3534 | 3720 |
| 350 | 14" | 265 | 572 | 887 | 1356 | 2005 | 3069 | 4124 | 4770 | 5010 |
| 400 | 16" | 352 | 760 | 1180 | 1803 | 2669 | 4085 | 5486 | 6341 | 6660 |
| 450 | 18" | 458 | 987 | 1537 | 2348 | 3478 | 5349 | 7177 | 8295 | 8710 |
| 500 | 20" | 555 | 1195 | 1853 | 2832 | 4192 | 6422 | 8617 | 9961 | 10460 |
| 600 | 24" | 810 | 1747 | 2708 | 4139 | 6126 | 9386 | 12593 | 14559 | 15290 |
| 700 | 28" | 1099 | 2369 | 3674 | 5614 | 8309 | 12730 | 17082 | 19741 | 20730 |
| 800 | 32" | 1449 | 3125 | 4845 | 7403 | 10957 | 16787 | 22525 | 26035 | 27340 |
| 900 | 36" | 1848 | 3981 | 6170 | 9429 | 13956 | 21375 | 28685 | 33155 | 34810 |
| 1000 | 40" | 2275 | 4902 | 7605 | 11619 | 17195 | 25175 | 35345 | 40850 | 42890 |
| 1200 | 48" | 3278 | 7068 | 10963 | 17148 | 24790 | 36043 | 50963 | 58900 | 61840 |
| 1300 | 52" | 4005 | 8610 | 13345 | 20419 | 29608 | 42932 | 60105 | 69121 | 72570 |
| 1400 | 56" | 4546 | 9774 | 15150 | 23483 | 34050 | 49372 | 70310 | 79490 | 83460 |

| 公称通径 Body size | | Class 300/PN40 | | | | | | | | |
|-------------------|-----|------------------------|------|-------|-------|-------|-------|-------|-------|-------|
| DN | IN | 阀门开度 % Valve opening % | | | | | | | | |
| | | 10° | 20° | 30° | 40° | 50° | 60° | 70° | 80° | 90° |
| 80 | 3" | 12 | 27 | 43 | 64 | 96 | 146 | 179 | 208 | 220 |
| 100 | 4" | 19 | 40 | 62 | 95 | 140 | 212 | 286 | 331 | 350 |
| 150 | 6" | 45 | 96 | 149 | 226 | 335 | 512 | 689 | 800 | 840 |
| 200 | 8" | 79 | 170 | 264 | 404 | 596 | 910 | 1229 | 1422 | 1490 |
| 250 | 10" | 126 | 272 | 420 | 643 | 950 | 1458 | 1953 | 2257 | 2370 |
| 300 | 12" | 183 | 394 | 611 | 935 | 1384 | 2120 | 2844 | 3287 | 3450 |
| 350 | 14" | 246 | 532 | 825 | 1261 | 1865 | 2854 | 3835 | 4436 | 4660 |
| 400 | 16" | 327 | 707 | 1097 | 1677 | 2482 | 3799 | 5102 | 5897 | 6190 |
| 450 | 18" | 426 | 918 | 1429 | 2184 | 3235 | 4975 | 6675 | 7715 | 8100 |
| 500 | 20" | 516 | 1111 | 1723 | 2634 | 3899 | 5972 | 8014 | 9264 | 9730 |
| 600 | 24" | 753 | 1625 | 2518 | 3849 | 5697 | 8729 | 11711 | 13540 | 14210 |
| 700 | 28" | 1022 | 2203 | 3417 | 5221 | 7727 | 11839 | 15886 | 18359 | 19270 |
| 800 | 32" | 1348 | 2906 | 4506 | 6885 | 10190 | 15612 | 20948 | 24212 | 25420 |
| 900 | 36" | 1719 | 3702 | 5738 | 8769 | 12979 | 19879 | 26677 | 30834 | 32370 |
| 1000 | 40" | 2116 | 4559 | 7073 | 10806 | 15991 | 23413 | 32871 | 37991 | 39890 |
| 1200 | 48" | 3049 | 6573 | 10196 | 15948 | 23055 | 33520 | 47396 | 54777 | 57510 |

最大允许压差 (单位: MPa)

MAXIMAL ALLOWABLE PRESSURE DROPS (UNIT: MPa)

气动活塞式执行机构 (单作用) Pneumatic piston actuator (single action)

| DN(mm) | 型号 | SR | | | | | | | | AW | | | | | |
|--------|---------|-----|-----|-----|-----|-----|-----|-----|-----|------|------|------|------|-------|-------|
| | | 83 | 92 | 105 | 125 | 140 | 160 | 190 | 210 | 17S | 20S | 25S | 28S | 35S | 40S |
| | 扭矩 (Nm) | 32 | 47 | 63 | 105 | 172 | 279 | 379 | 521 | 1217 | 2732 | 3982 | 6894 | 13456 | 17267 |
| 80 | 复合密封 | 1.0 | 1.4 | 2.0 | | | | | | | | | | | |
| | 金属密封 | 0.6 | 0.8 | 1.2 | | | | | | | | | | | |
| 100 | 复合密封 | | | 1.0 | 1.6 | 2.8 | | | | | | | | | |
| | 金属密封 | | | 0.6 | 1.0 | 2.0 | | | | | | | | | |
| 125 | 复合密封 | | | | 1.0 | 1.6 | 3.0 | | | | | | | | |
| | 金属密封 | | | | 0.6 | 1.0 | 2.2 | | | | | | | | |
| 150 | 复合密封 | | | | | 1.0 | 1.6 | 2.0 | 3.0 | | | | | | |
| | 金属密封 | | | | | 0.6 | 1.1 | 1.4 | 2.2 | | | | | | |
| 200 | 复合密封 | | | | | | 1.3 | 1.5 | 2.2 | | | | | | |
| | 金属密封 | | | | | | 0.7 | 0.9 | 1.5 | 4.0 | | | | | |
| 250 | 复合密封 | | | | | | | 1.2 | 1.6 | 3.3 | | | | | |
| | 金属密封 | | | | | | | 0.7 | 1.0 | 2.4 | | | | | |
| 300 | 复合密封 | | | | | | | | 0.9 | 2.2 | | | | | |
| | 金属密封 | | | | | | | | 0.5 | 1.4 | 4.0 | | | | |
| 350 | 复合密封 | | | | | | | | | 1.5 | 3.0 | | | | |
| | 金属密封 | | | | | | | | | 0.9 | 2.4 | 3.8 | | | |
| 400 | 复合密封 | | | | | | | | | 1.0 | 2.5 | 3.5 | | | |
| | 金属密封 | | | | | | | | | 0.6 | 1.5 | 2.5 | | | |
| 450 | 复合密封 | | | | | | | | | 0.6 | 1.9 | 2.6 | | | |
| | 金属密封 | | | | | | | | | | 1.2 | 1.8 | 4.2 | | |
| 500 | 复合密封 | | | | | | | | | | 1.2 | 2.0 | 4.0 | | |
| | 金属密封 | | | | | | | | | | 0.8 | 1.3 | 3.2 | | |
| 600 | 复合密封 | | | | | | | | | | 0.9 | 1.5 | 2.3 | | |
| | 金属密封 | | | | | | | | | | 0.5 | 0.8 | 1.8 | 4.0 | |
| 700 | 复合密封 | | | | | | | | | | | 1.2 | 2.5 | 3.4 | |
| | 金属密封 | | | | | | | | | | | 0.7 | 1.6 | 2.4 | |
| 800 | 复合密封 | | | | | | | | | | | 0.8 | 1.4 | 2.8 | |
| | 金属密封 | | | | | | | | | | | 0.4 | 0.9 | 2.0 | |
| 900 | 复合密封 | | | | | | | | | | | | 1.1 | 2.4 | 2.8 |
| | 金属密封 | | | | | | | | | | | | 0.7 | 1.7 | 2.0 |
| 1000 | 复合密封 | | | | | | | | | | | | 0.9 | 2.2 | 2.5 |
| | 金属密封 | | | | | | | | | | | | 0.5 | 1.4 | 1.7 |

注: 1、表中扭矩为执行机构失气后弹簧的输出扭矩;

Note: 1. Torque in the table refers to the output torque of spring after the actuator loses air.

气动活塞式执行机构（双作用） Pneumatic piston actuator (double acting)

| DN(mm) | 型号 | DA | | | | | | | | | | AW | | | |
|--------|---------|-----|-----|-----|-----|-----|-----|-----|------|------|------|------|------|-------|-------|
| | | 83 | 92 | 105 | 125 | 140 | 160 | 190 | 210 | 240 | 270 | 20 | 25 | 28 | 35 |
| | 扭矩 (Nm) | 69 | 102 | 148 | 231 | 395 | 601 | 969 | 1184 | 1740 | 2642 | 4303 | 6724 | 10242 | 20173 |
| 80 | 复合密封 | 2.0 | 3.5 | | | | | | | | | | | | |
| | 金属密封 | 1.2 | 2.5 | | | | | | | | | | | | |
| 100 | 复合密封 | | 1.6 | 2.5 | | | | | | | | | | | |
| | 金属密封 | | 1.0 | 1.6 | 3.6 | | | | | | | | | | |
| 125 | 复合密封 | | 1.0 | 1.4 | 2.5 | | | | | | | | | | |
| | 金属密封 | | 0.6 | 0.9 | 1.6 | | | | | | | | | | |
| 150 | 复合密封 | | | 0.8 | 1.4 | 2.0 | | | | | | | | | |
| | 金属密封 | | | | 0.9 | 1.4 | 2.5 | | | | | | | | |
| 200 | 复合密封 | | | | 1.0 | 1.5 | 2.5 | | | | | | | | |
| | 金属密封 | | | | 0.6 | 1.0 | 1.6 | | | | | | | | |
| 250 | 复合密封 | | | | | 1.1 | 1.8 | 2.5 | | | | | | | |
| | 金属密封 | | | | | 0.7 | 1.2 | 1.6 | | | | | | | |
| 300 | 复合密封 | | | | | | 0.9 | 1.5 | 1.8 | | | | | | |
| | 金属密封 | | | | | | | 0.9 | 1.2 | 2.5 | | | | | |
| 350 | 复合密封 | | | | | | | 1.0 | 1.5 | 1.7 | | | | | |
| | 金属密封 | | | | | | | 0.6 | 0.9 | 1.1 | | | | | |
| 400 | 复合密封 | | | | | | | | 1.0 | 1.5 | 2.2 | | | | |
| | 金属密封 | | | | | | | | 0.6 | 0.9 | 1.4 | | | | |
| 450 | 复合密封 | | | | | | | | | 0.9 | 1.7 | 3.5 | | | |
| | 金属密封 | | | | | | | | | 0.5 | 1.1 | 2.5 | | | |
| 500 | 复合密封 | | | | | | | | | | 1.2 | 2.2 | 4.0 | | |
| | 金属密封 | | | | | | | | | | 0.8 | 1.5 | 3.1 | | |
| 600 | 复合密封 | | | | | | | | | | 0.9 | 1.3 | 2.6 | | |
| | 金属密封 | | | | | | | | | | 0.5 | 0.9 | 1.7 | | |
| 700 | 复合密封 | | | | | | | | | | | 1.1 | 1.8 | 3.0 | |
| | 金属密封 | | | | | | | | | | | 0.7 | 1.2 | 2.1 | |
| 800 | 复合密封 | | | | | | | | | | | 0.7 | 1.5 | 2.5 | |
| | 金属密封 | | | | | | | | | | | 0.4 | 0.9 | 1.8 | |
| 900 | 复合密封 | | | | | | | | | | | | 1.1 | 2.2 | 3.0 |
| | 金属密封 | | | | | | | | | | | | 0.7 | 1.6 | 2.3 |
| 1000 | 复合密封 | | | | | | | | | | | | 0.7 | 1.4 | 2.6 |
| | 金属密封 | | | | | | | | | | | | 0.4 | 0.9 | 1.9 |

BR.W7 系列蝶阀
BR.W7 SERIES BUTTERFLY



电动执行机构 Electric actuator

| DN(mm) | 型号 | IK | | | | | | IK-ZJ4 | | IK-ZJ5、6 | | IK-ZJ6、7、8 | | | | | |
|--------|---------|-----|-----|-----|-----|-----|------|--------|------|----------|------|------------|------|------|-------|-----|-----|
| | | 10 | 18 | 20 | 25 | 35 | 40 | 18 | | 20 | | 25 | | | | | |
| | 扭矩 (Nm) | 45 | 110 | 205 | 400 | 610 | 1000 | 1400 | 1800 | 2600 | 3400 | 4600 | 6150 | 7700 | 15800 | | |
| 80 | 复合密封 | 1.2 | 3.5 | | | | | | | | | | | | | | |
| | 金属密封 | 0.8 | 2.5 | | | | | | | | | | | | | | |
| 100 | 复合密封 | | 1.6 | 4.0 | | | | | | | | | | | | | |
| | 金属密封 | | 1.0 | 3.0 | | | | | | | | | | | | | |
| 125 | 复合密封 | | 1.0 | 2.3 | | | | | | | | | | | | | |
| | 金属密封 | | 0.6 | 1.4 | 4.0 | | | | | | | | | | | | |
| 150 | 复合密封 | | | 1.2 | 2.2 | 3.7 | | | | | | | | | | | |
| | 金属密封 | | | 0.8 | 1.5 | 2.7 | | | | | | | | | | | |
| 200 | 复合密封 | | | 1.0 | 1.6 | 2.5 | | | | | | | | | | | |
| | 金属密封 | | | 0.6 | 1.0 | 1.6 | | | | | | | | | | | |
| 250 | 复合密封 | | | | 1.1 | 1.8 | 2.7 | | | | | | | | | | |
| | 金属密封 | | | | 0.7 | 1.2 | 1.7 | | | | | | | | | | |
| 300 | 复合密封 | | | | | 1.0 | 1.6 | 2.5 | | | | | | | | | |
| | 金属密封 | | | | | 0.6 | 1.0 | 1.6 | | | | | | | | | |
| 350 | 复合密封 | | | | | | 1.1 | 1.5 | 1.7 | | | | | | | | |
| | 金属密封 | | | | | | 0.7 | 0.9 | 1.1 | | | | | | | | |
| 400 | 复合密封 | | | | | | | 1.1 | 1.5 | 2.1 | | | | | | | |
| | 金属密封 | | | | | | | 0.7 | 0.9 | 1.4 | | | | | | | |
| 450 | 复合密封 | | | | | | | | 1.1 | 1.7 | 2.5 | | | | | | |
| | 金属密封 | | | | | | | | 0.7 | 1.1 | 1.6 | | | | | | |
| 500 | 复合密封 | | | | | | | | | 1.2 | 1.7 | 2.5 | | | | | |
| | 金属密封 | | | | | | | | | 0.8 | 1.1 | 1.6 | | | | | |
| 600 | 复合密封 | | | | | | | | | | 1.1 | 1.3 | 2.5 | | | | |
| | 金属密封 | | | | | | | | | | 0.7 | 0.9 | 1.6 | | | | |
| 700 | 复合密封 | | | | | | | | | | | 1.0 | 1.2 | 2.2 | | | |
| | 金属密封 | | | | | | | | | | | 0.6 | 0.8 | 1.4 | | | |
| 800 | 复合密封 | | | | | | | | | | | | 1.0 | 1.3 | 1.8 | | |
| | 金属密封 | | | | | | | | | | | | 0.6 | 0.9 | 1.2 | | |
| 900 | 复合密封 | | | | | | | | | | | | | 1.1 | 1.3 | 2.5 | |
| | 金属密封 | | | | | | | | | | | | | 0.7 | 0.8 | 1.9 | |
| 1000 | 复合密封 | | | | | | | | | | | | | | 0.9 | 1.2 | 2.2 |
| | 金属密封 | | | | | | | | | | | | | | 0.5 | 0.7 | 1.7 |

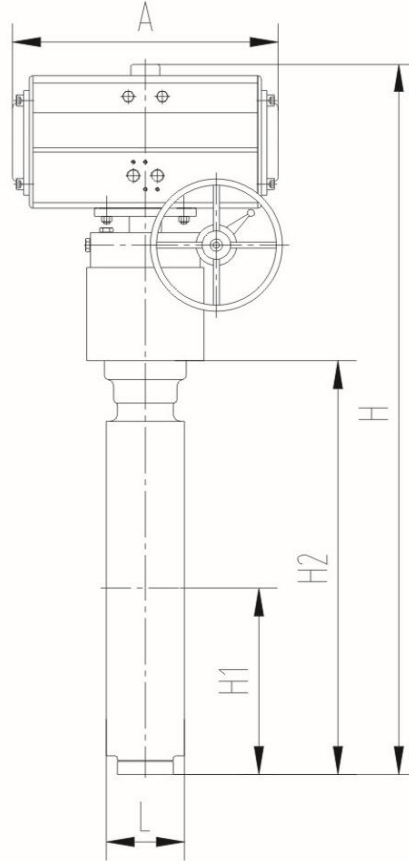
01

全电子式执行机构 Solid state electronic type

| DN(mm) | 型号 | 341R、381R | | | | | | | | | | |
|--------|------|-----------|-----|-----|-----|-----|-----|-----|------|------|------|------|
| | | 05 | 10 | 20 | 30 | 50 | 60 | 100 | 150 | 200 | 400 | 600 |
| | | 扭矩 (Nm) | 50 | 100 | 200 | 300 | 500 | 600 | 1000 | 1500 | 2000 | 4000 |
| 80 | 复合密封 | 1.2 | 2.8 | | | | | | | | | |
| | 金属密封 | 0.8 | 2.2 | | | | | | | | | |
| 100 | 复合密封 | | 1.2 | 3.1 | | | | | | | | |
| | 金属密封 | | 0.8 | 2.5 | | | | | | | | |
| 125 | 复合密封 | | | 1.8 | 3.1 | | | | | | | |
| | 金属密封 | | | 1.3 | 2.5 | | | | | | | |
| 150 | 复合密封 | | | | 1.7 | 2.2 | | | | | | |
| | 金属密封 | | | | 1.1 | 1.6 | | | | | | |
| 200 | 复合密封 | | | | 1.1 | 1.6 | | | | | | |
| | 金属密封 | | | | 0.7 | 1.2 | | | | | | |
| 250 | 复合密封 | | | | | 1.2 | 1.4 | 2.1 | | | | |
| | 金属密封 | | | | | 0.8 | 1.0 | 1.5 | | | | |
| 300 | 复合密封 | | | | | | 0.9 | 1.3 | 2.2 | | | |
| | 金属密封 | | | | | | 0.5 | 0.9 | 1.6 | | | |
| 350 | 复合密封 | | | | | | | 1.0 | 1.2 | 1.8 | | |
| | 金属密封 | | | | | | | 0.6 | 0.8 | 1.2 | | |
| 400 | 复合密封 | | | | | | | | 1.0 | 1.2 | 3.0 | |
| | 金属密封 | | | | | | | | 0.6 | 0.8 | 2.4 | |
| 450 | 复合密封 | | | | | | | | 0.6 | 1.1 | 2.0 | |
| | 金属密封 | | | | | | | | | 0.7 | 1.6 | 4.0 |
| 500 | 复合密封 | | | | | | | | | 0.7 | 1.6 | 3.0 |
| | 金属密封 | | | | | | | | | 0.4 | 1.2 | 2.4 |

外形尺寸 DIMENSIONS

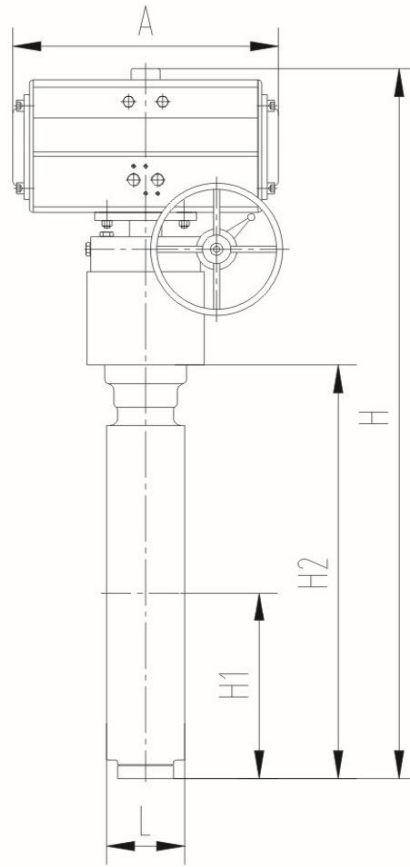
气动单作用活塞式蝶阀（对夹式）Pneumatic single acting piston butterfly valve (wafer type)



单位 UNIT: mm

| 公称通径 Body size | | H | H ₁ | H ₂ | A | L | |
|----------------|-----|------|----------------|----------------|------|---------|--------|
| DN | IN | | | | | 短 Short | 长 Long |
| 80 | 3" | 660 | 120 | 245 | 204 | 49 | 64 |
| 100 | 4" | 700 | 150 | 310 | 268 | 56 | 64 |
| 125 | 5" | 795 | 175 | 365 | 298 | 64 | 70 |
| 150 | 6" | 860 | 190 | 390 | 390 | 70 | 76 |
| 200 | 8" | 940 | 220 | 455 | 458 | 71 | 89 |
| 250 | 10" | 1130 | 250 | 515 | 525 | 76 | 114 |
| 300 | 12" | 1190 | 290 | 595 | 532 | 83 | 114 |
| 350 | 14" | 1290 | 320 | 650 | 1100 | 92 | 127 |
| 400 | 16" | 1385 | 350 | 710 | 1100 | 102 | 140 |
| 450 | 18" | 1520 | 375 | 775 | 1460 | 114 | 152 |
| 500 | 20" | 1640 | 415 | 865 | 1460 | 127 | 152 |
| 600 | 24" | 1730 | 450 | 930 | 1610 | 154 | 178 |
| 700 | 28" | 1960 | 515 | 1050 | 1610 | 165 | 229 |
| 800 | 32" | 2560 | 590 | 1210 | 1910 | 190 | 241 |
| 900 | 36" | 2730 | 640 | 1310 | 1910 | 203 | 241 |
| 1000 | 40" | 2960 | 700 | 1430 | 1910 | 216 | 300 |

气动双作用活塞式蝶阀（对夹式） Pneumatic double acting piston butterfly valve (wafer type)



01

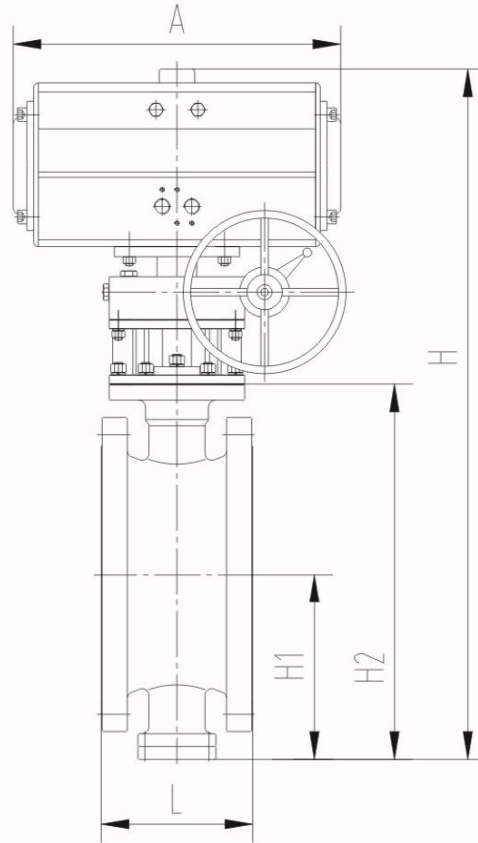
单位 UNIT: mm

| 公称通径 Body size | | H | H ₁ | H ₂ | A | L | |
|----------------|-----|------|----------------|----------------|------|---------|--------|
| DN | IN | | | | | 短 Short | 长 Long |
| 80 | 3" | 660 | 120 | 245 | 204 | 49 | 64 |
| 100 | 4" | 700 | 150 | 310 | 268 | 56 | 64 |
| 125 | 5" | 795 | 175 | 365 | 298 | 64 | 70 |
| 150 | 6" | 860 | 190 | 390 | 390 | 70 | 76 |
| 200 | 8" | 940 | 220 | 455 | 458 | 71 | 89 |
| 250 | 10" | 1130 | 250 | 515 | 525 | 76 | 114 |
| 300 | 12" | 1190 | 290 | 595 | 532 | 83 | 114 |
| 350 | 14" | 1290 | 320 | 650 | 835 | 92 | 127 |
| 400 | 16" | 1385 | 350 | 710 | 835 | 102 | 140 |
| 450 | 18" | 1520 | 375 | 775 | 1140 | 114 | 152 |
| 500 | 20" | 1640 | 415 | 865 | 1140 | 127 | 152 |
| 600 | 24" | 1730 | 450 | 930 | 1140 | 154 | 178 |
| 700 | 28" | 1960 | 515 | 1050 | 1140 | 165 | 229 |
| 800 | 32" | 2560 | 590 | 1210 | 1405 | 190 | 241 |
| 900 | 36" | 2730 | 640 | 1310 | 1405 | 203 | 241 |
| 1000 | 40" | 2960 | 700 | 1430 | 1405 | 216 | 300 |

BR.W7 系列蝶阀
BR.W7 SERIES BUTTERFLY



气动单作用活塞式蝶阀（法兰式）Pneumatic single acting piston butterfly valve (flange type)

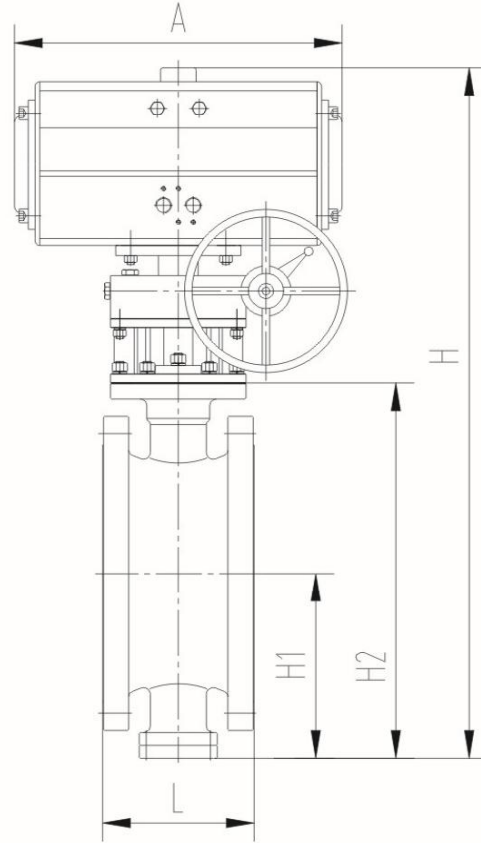


01

单位 UNIT: mm

| 公称通径 Body size | | H | H ₁ | H ₂ | A | L | |
|----------------|-----|------|----------------|----------------|------|---------|--------|
| DN | IN | | | | | 短 Short | 长 Long |
| 80 | 3" | 660 | 120 | 245 | 204 | 114 | 180 |
| 100 | 4" | 700 | 150 | 310 | 268 | 127 | 190 |
| 125 | 5" | 795 | 175 | 365 | 298 | 140 | 200 |
| 150 | 6" | 860 | 190 | 390 | 390 | 140 | 210 |
| 200 | 8" | 940 | 220 | 455 | 458 | 152 | 230 |
| 250 | 10" | 1130 | 250 | 515 | 525 | 165 | 250 |
| 300 | 12" | 1190 | 290 | 595 | 532 | 178 | 270 |
| 350 | 14" | 1290 | 320 | 650 | 1100 | 190 | 290 |
| 400 | 16" | 1385 | 350 | 710 | 1100 | 216 | 310 |
| 450 | 18" | 1520 | 375 | 775 | 1460 | 222 | 330 |
| 500 | 20" | 1640 | 415 | 865 | 1460 | 229 | 350 |
| 600 | 24" | 1730 | 450 | 930 | 1610 | 267 | 390 |
| 700 | 28" | 1960 | 515 | 1050 | 1610 | 292 | 430 |
| 800 | 32" | 2560 | 590 | 1210 | 1910 | 318 | 470 |
| 900 | 36" | 2730 | 640 | 1310 | 1910 | 330 | 510 |
| 1000 | 40" | 2960 | 700 | 1430 | 1910 | 410 | 550 |

气动双作用活塞式蝶阀（法兰式） Pneumatic double acting piston butterfly valve (flange type)



01

单位 UNIT: mm

| 公称通径 Body size | | H | H ₁ | H ₂ | A | L | |
|----------------|-----|------|----------------|----------------|------|---------|--------|
| DN | IN | | | | | 短 Short | 长 Long |
| 80 | 3" | 660 | 120 | 245 | 204 | 114 | 180 |
| 100 | 4" | 700 | 150 | 310 | 268 | 127 | 190 |
| 125 | 5" | 795 | 175 | 365 | 298 | 140 | 200 |
| 150 | 6" | 860 | 190 | 390 | 390 | 140 | 210 |
| 200 | 8" | 940 | 220 | 455 | 458 | 152 | 230 |
| 250 | 10" | 1130 | 250 | 515 | 525 | 165 | 250 |
| 300 | 12" | 1190 | 290 | 595 | 532 | 178 | 270 |
| 350 | 14" | 1290 | 320 | 650 | 835 | 190 | 290 |
| 400 | 16" | 1385 | 350 | 710 | 835 | 216 | 310 |
| 450 | 18" | 1520 | 375 | 775 | 1140 | 222 | 330 |
| 500 | 20" | 1640 | 415 | 865 | 1140 | 229 | 350 |
| 600 | 24" | 1730 | 450 | 930 | 1140 | 267 | 390 |
| 700 | 28" | 1960 | 515 | 1050 | 1140 | 292 | 430 |
| 800 | 32" | 2560 | 590 | 1210 | 1405 | 318 | 470 |
| 900 | 36" | 2730 | 640 | 1310 | 1405 | 330 | 510 |
| 1000 | 40" | 2960 | 700 | 1430 | 1405 | 410 | 550 |

BR.W72W系列二偏心蝶阀 BR.W72W Series double eccentric butterfly valve

阀本体 VALVE BODY

| | |
|-----------------------------------|--------------------------------------------------------------------------------------------------------------------|
| 型式 Type | 二偏心 Double eccentric type |
| 公称通径 Body size | 50 ~ 600 mm(2" ~ 24") |
| 公称压力 Body ratings | PN16, 25, 40 ANSI CLASS 150, 300 |
| 连接方式 Connections | 法兰式 (RF、MFM) Flanged(RF、MFM) 对夹式 Wafer |
| 法兰标准 Flange standard | HG/T20592 HG/T20615 ANSI B16.5 |
| 阀体及阀盖材质 Body & Bonnet Material | LCB WCB WC6 WC9 CF8 CF8M CF3 CF3M A105 F304 F22…… |
| 上阀盖型式 Bonnet type | 标准型 Standard type -29 ~ +150 °C 散热型 Fin-Extension type +150 ~ +320 °C 低温型 Low temperature type -196 ~ -29 °C |
| 填料 Packing | V型聚四氟乙烯 V-PTFE 柔性石墨 Flexible Graphite |
| 流量特性 Characteristics | 近似等百分比 Approximate equal percentage |
| 可调比 R Rangeability R | 30:1 |
| 泄漏量 Seat leakage | 硬密封 Hard seal: IV 级, V 级 软密封 Soft seal: VI 级 |
| 涂层 Painting color | 按要求 As required 不锈钢阀体不涂漆 Stainless steel body have no paint |

执行机构 ACTUATOR

| | 活塞式 Piston type | 全电子式 Solid state electronic type | 电动式 Electrodynamic |
|---------------------------------------|------------------------------------------------------------------------------------------------------------------------------------------------------------------|--------------------------------------------------------------------------------------------------------|-------------------------------------------|
| 用途 Use | 调节、开关 Modulation or On-off | 调节、开关 Modulation or On-off | 调节、开关 Modulation or On-off |
| 气源 / 电源 Air supply or power supply | 0.4 ~ 0.6MPa | 220V.AC 50Hz 380V.AC 50Hz | 220V.AC 50Hz 380V.AC 50Hz |
| 接口 Connection | Rc1/4", Rc1/2", Rc3/8" | 配线 :2-G1/2" | 配线 :2-G1/2" |
| 正作用 Direct action | 气压增加阀闭 Air to valve shut | 输入信号增加阀闭 Signal increase to vavle shut | 输入信号增加阀闭 Signal increase to vavle shut |
| 反作用 Reverse action | 气压增加阀开 Air to valve open | 输入信号增加阀开 Signal increase to vavle open | 输入信号增加阀开 Signal increase to vavle open |
| 死区 Dead band | ≤ 1.5% (带定位器) | ≤ 1.5% | ≤ 2.5% |
| 回差 Hysteresis | ≤ 0.5% (带定位器) | ≤ 1.5% | ≤ 2.5% |
| 环境温度 Ambient Temp. | -40 ~ +70 °C | -10 ~ +55 °C | |
| 可选阀门附件 Optional valve attachment | 电气阀门定位器, 过滤减压器, 电磁阀, 限位开关, 保位阀, 手动装置 Electrical valve positioner, filter pressure reducer, solenoid valve, Limit switch, position saving valve, manual device | 微动开关、电位器、空间加热器、接线盒、手动手柄等 Microswitch, potentiometer, space heater, junction box, manual handle, etc | |

材质 MATERIAL

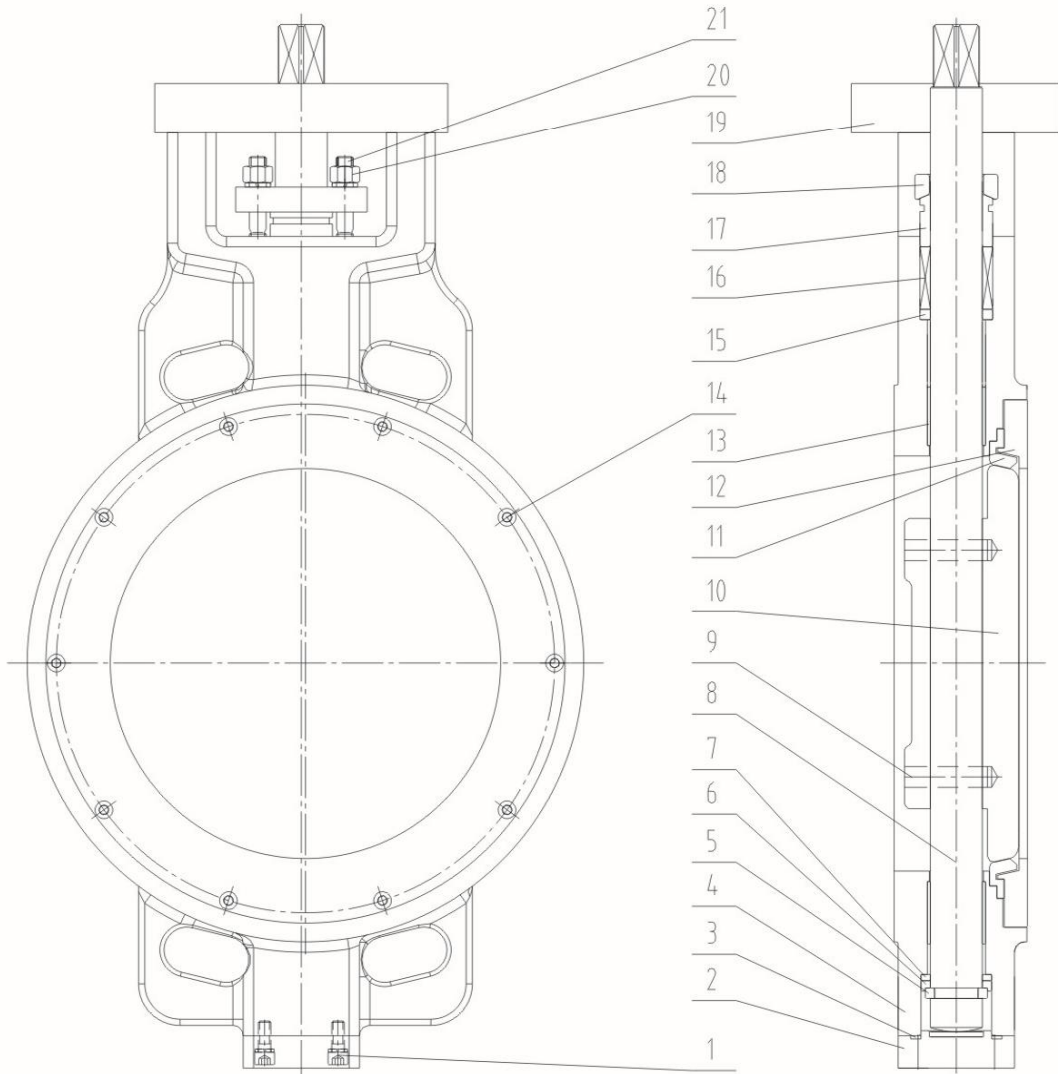
| | | | | |
|----------------------|--------------|------------|-------------|------------|
| 阀体 Body | WCB WCC A105 | | WC6 WC9 F22 | |
| 阀板 Disc | CF8 | CF8+STL | CF8 | CF8+STL |
| 阀杆 Stem | 17-4PH | XM-19 | 17-4PH | XM-19 |
| 密封圈 Sealing ring | RPTFE、PPL | 316L | RPTFE、PPL | 316L |
| 压圈 Clamping ring | A105 | | F22 | |
| 填料 Packing | GRAP | | GRAP | |
| 使用温度 Operating Temp. | -29~260 °C | -29~420 °C | -29~260 °C | -29~420 °C |
| 阀座泄漏量 Seat Leakage | VI | IV、V | VI | IV、V |

| | | | | |
|----------------------|----------------------|----------|----------------------|------------|
| 阀体 Body | CF3 CF3M F304L F316L | | CF3 CF3M F304L F316L | |
| 阀板 Disc | CF3M+STL | | CF8M | CF8M+STL |
| 阀杆 Stem | XM-19 | | 17-4PH | GR660 |
| 密封圈 Sealing ring | PCTFE | 316L+STL | RPTFE、PPL | 316L+STL |
| 压圈 Clamping ring | 304 | | 304 | |
| 填料 Packing | GRAP | | GRAP | |
| 使用温度 Operating Temp. | -192~-40 °C | | -40~260 °C | -40~420 °C |
| 阀座泄漏量 Seat Leakage | V、VI | IV、V | V、VI | IV、V |

额定Cv RATED CV

| DN | Class 150 PN16/25 | DN | Class 150 PN16/25 | DN | Class 300 PN40 | DN | Class 300 PN40 |
|-----|----------------------|------|----------------------|-----|-------------------|------|-------------------|
| 50 | 68 | 400 | 9800 | 50 | 68 | 400 | 7800 |
| 65 | 80 | 450 | 10500 | 65 | 80 | 450 | 9500 |
| 80 | 185 | 500 | 13500 | 80 | 185 | 500 | 11000 |
| 100 | 375 | 600 | 21600 | 100 | 375 | 600 | 18000 |
| 125 | 816 | 700 | 29900 | 125 | 816 | 700 | 26900 |
| 150 | 1350 | 800 | 39600 | 150 | 1350 | 800 | 35500 |
| 200 | 2800 | 900 | 49500 | 200 | 2800 | 900 | 44500 |
| 250 | 4300 | 1000 | 61100 | 250 | 4300 | 1000 | 54900 |
| 300 | 6650 | 1100 | 67200 | 300 | 6650 | 1100 | 60500 |
| 350 | 7650 | 1200 | 89900 | 350 | 7650 | 1200 | 81000 |

阀体结构 BODY CONSTRUCTION



02

| 序号 NO | 名称 Name | 序号 NO | 名称 Name | 序号 NO | 名称 Name |
|-------|---------------------|-------|---------------------|-------|-----------------------|
| 1 | 螺钉 Screw | 8 | 阀杆 Stem | 15 | 填料垫 Packing seat |
| 2 | 底盖 Bottom | 9 | 圆柱销 Cylindrical pin | 16 | 填料 Packing |
| 3 | 垫圈 Gasket | 10 | 阀板 Disc | 17 | 压套 Pressing sleeve |
| 4 | 阀体 Body | 11 | 压圈 Compression ring | 18 | 压板 Pressure plate |
| 5 | 止推垫 Thrust pad | 12 | 密封环 Sealing ring | 19 | 连接板 Connection plate |
| 6 | 止推轴承 Thrust bearing | 13 | 轴套 Axle sleeve | 20 | 六角螺母 Nut |
| 7 | 止推环 Thrust ring | 14 | 螺钉 Screw | 21 | 双头螺柱 Double end studs |

流量特性 FLOW CHARACTERISTICS

| 公称通径 Body size | | Class 150/PN16/25 | | | | | | | | |
|-------------------|-------|------------------------|-----|------|------|------|------|-------|-------|-------|
| DN | IN | 阀门开度 % Valve opening % | | | | | | | | |
| | | 10° | 20° | 30° | 40° | 50° | 60° | 70° | 80° | 90° |
| 50 | 2 | 2 | 5 | 10 | 13 | 19 | 26 | 37 | 51 | 68 |
| 65 | 2-1/2 | 3 | 6 | 11 | 16 | 22 | 30 | 43 | 60 | 80 |
| 80 | 3 | 5 | 14 | 32 | 56 | 87 | 123 | 155 | 178 | 185 |
| 100 | 4 | 10 | 31 | 63 | 115 | 175 | 250 | 315 | 365 | 375 |
| 125 | 5 | 19 | 51 | 102 | 154 | 247 | 351 | 507 | 671 | 816 |
| 150 | 6 | 35 | 81 | 140 | 218 | 330 | 510 | 750 | 1070 | 1350 |
| 200 | 8 | 65 | 165 | 280 | 456 | 685 | 1060 | 1590 | 2230 | 2800 |
| 250 | 10 | 100 | 250 | 450 | 700 | 1050 | 1630 | 2430 | 3450 | 4300 |
| 300 | 12 | 155 | 390 | 700 | 1080 | 1630 | 2530 | 3750 | 5330 | 6650 |
| 350 | 14 | 175 | 450 | 810 | 1250 | 1890 | 2900 | 4300 | 6100 | 7650 |
| 400 | 16 | 230 | 580 | 1020 | 1530 | 2420 | 3700 | 5510 | 7860 | 9800 |
| 450 | 18 | 170 | 500 | 1180 | 2220 | 3520 | 5100 | 6960 | 9100 | 10500 |
| 500 | 20 | 200 | 640 | 1530 | 2820 | 4500 | 6500 | 8800 | 11700 | 13500 |
| 600 | 24 | 240 | 920 | 2200 | 3880 | 6640 | 9570 | 12800 | 17100 | 21600 |

| 公称通径 Body size | | Class 150/PN16/25 | | | | | | | | |
|-------------------|-------|------------------------|-----|------|------|------|------|-------|-------|-------|
| DN | IN | 阀门开度 % Valve opening % | | | | | | | | |
| | | 10° | 20° | 30° | 40° | 50° | 60° | 70° | 80° | 90° |
| 50 | 2 | 2 | 5 | 10 | 13 | 19 | 26 | 37 | 51 | 68 |
| 65 | 2-1/2 | 3 | 6 | 11 | 16 | 22 | 30 | 43 | 60 | 80 |
| 80 | 3 | 5 | 14 | 32 | 56 | 87 | 123 | 155 | 178 | 185 |
| 100 | 4 | 10 | 31 | 63 | 115 | 175 | 250 | 315 | 365 | 375 |
| 125 | 5 | 19 | 51 | 102 | 154 | 247 | 351 | 507 | 671 | 816 |
| 150 | 6 | 26 | 79 | 138 | 240 | 370 | 530 | 710 | 875 | 1000 |
| 200 | 8 | 47 | 121 | 240 | 405 | 630 | 950 | 1360 | 1720 | 2000 |
| 250 | 10 | 61 | 150 | 295 | 510 | 780 | 1200 | 1740 | 2250 | 2650 |
| 300 | 12 | 92 | 220 | 430 | 710 | 1100 | 1690 | 2500 | 3400 | 4000 |
| 350 | 14 | 100 | 240 | 490 | 830 | 1200 | 1770 | 2600 | 3500 | 4100 |
| 400 | 16 | 180 | 420 | 730 | 1160 | 1840 | 2970 | 4550 | 6540 | 7800 |
| 450 | 18 | 94 | 440 | 1080 | 1970 | 3110 | 4530 | 6170 | 8000 | 9500 |
| 500 | 20 | 110 | 530 | 1250 | 2330 | 3720 | 5400 | 7300 | 9570 | 11000 |
| 600 | 24 | 180 | 830 | 2000 | 3700 | 5920 | 8570 | 11400 | 15100 | 18000 |

最大允许压差 (单位: MPa)

MAXIMAL ALLOWABLE PRESSURE DROPS (UNIT: MPa)

气动活塞式执行机构 (单作用) Pneumatic piston actuator (single action)

| DN(mm) | 型号 | SR | | | | | | | | | | AW | | | |
|--------|---------|-----|-----|-----|-----|-----|-----|-----|-----|-----|-----|------|------|------|------|
| | | 75 | 83 | 92 | 105 | 125 | 140 | 160 | 190 | 210 | 240 | 17S | 20S | 25S | 28S |
| | 扭矩 (Nm) | 20 | 32 | 47 | 63 | 105 | 172 | 279 | 379 | 521 | 778 | 1217 | 2732 | 3982 | 6894 |
| 50 | 软密封 | 0.6 | 1.2 | 2.5 | | | | | | | | | | | |
| | 金属密封 | | 0.4 | 0.8 | 1.5 | | | | | | | | | | |
| 65 | 软密封 | | 0.6 | 1.8 | 3.0 | | | | | | | | | | |
| | 金属密封 | | | 0.5 | 1.0 | 2.5 | | | | | | | | | |
| 80 | 软密封 | | | 0.8 | 1.6 | 3.0 | | | | | | | | | |
| | 金属密封 | | | | 0.5 | 1.8 | | | | | | | | | |
| 100 | 软密封 | | | | 0.6 | 1.8 | 2.5 | | | | | | | | |
| | 金属密封 | | | | | 0.6 | 1.4 | | | | | | | | |
| 125 | 软密封 | | | | | 0.6 | 1.6 | 2.5 | | | | | | | |
| | 金属密封 | | | | | | 0.6 | 1.6 | | | | | | | |
| 150 | 软密封 | | | | | | 0.6 | 1.8 | 2.5 | | | | | | |
| | 金属密封 | | | | | | | 0.6 | 1.2 | | | | | | |
| 200 | 软密封 | | | | | | | 0.6 | 1.2 | 2.5 | | | | | |
| | 金属密封 | | | | | | | | 0.4 | 1.2 | | | | | |
| 250 | 软密封 | | | | | | | | 0.4 | 1.4 | 2.3 | | | | |
| | 金属密封 | | | | | | | | | 0.4 | 0.8 | 1.6 | | | |
| 300 | 软密封 | | | | | | | | | 0.6 | 1.4 | 2.5 | | | |
| | 金属密封 | | | | | | | | | | 0.4 | 1.0 | 3.0 | | |
| 350 | 软密封 | | | | | | | | | | 1.0 | 1.8 | 3.0 | | |
| | 金属密封 | | | | | | | | | | | 0.5 | 2.2 | | |
| 400 | 软密封 | | | | | | | | | | 0.6 | 1.2 | 3.0 | | |
| | 金属密封 | | | | | | | | | | | 0.4 | 1.5 | 2.4 | |
| 450 | 软密封 | | | | | | | | | | | 0.8 | 2.4 | 3.0 | |
| | 金属密封 | | | | | | | | | | | | 0.8 | 1.6 | |
| 500 | 软密封 | | | | | | | | | | | 0.4 | 1.6 | 2.5 | |
| | 金属密封 | | | | | | | | | | | | 0.5 | 1.0 | 2.5 |
| 600 | 软密封 | | | | | | | | | | | | 1.2 | 2.0 | 3.0 |
| | 金属密封 | | | | | | | | | | | | | 0.6 | 1.6 |

注: 1、表中扭矩为执行机构失气后弹簧的输出扭矩;

Note: 1. Torque in the table refers to the output torque of spring after the actuator loses air.

BR.W7 系列蝶阀
BR.W7 SERIES BUTTERFLY



气动活塞式执行机构（双作用） Pneumatic piston actuator (double acting)

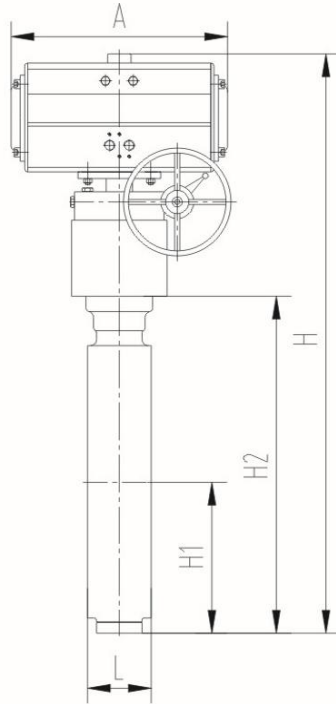
| DN(mm) | 型号 | DA | | | | | | | | | | | AW | |
|--------|---------|-----|-----|-----|-----|-----|-----|-----|-----|-----|------|------|------|------|
| | | 63 | 75 | 83 | 92 | 105 | 125 | 140 | 160 | 190 | 210 | 270 | 20 | 25 |
| | 扭矩 (Nm) | 32 | 45 | 69 | 102 | 148 | 231 | 395 | 601 | 969 | 1184 | 2642 | 4303 | 6724 |
| 50 | 软密封 | 1.2 | 2.5 | | | | | | | | | | | |
| | 金属密封 | 0.4 | 0.8 | 1.5 | | | | | | | | | | |
| 65 | 软密封 | 0.6 | 1.8 | 3.0 | | | | | | | | | | |
| | 金属密封 | | 0.5 | 1.0 | 2.5 | | | | | | | | | |
| 80 | 软密封 | | 0.8 | 1.6 | 3.0 | | | | | | | | | |
| | 金属密封 | | | 0.5 | 1.8 | | | | | | | | | |
| 100 | 软密封 | | | 0.6 | 1.8 | 2.2 | | | | | | | | |
| | 金属密封 | | | | 0.6 | 1.1 | | | | | | | | |
| 125 | 软密封 | | | | 0.6 | 1.3 | 2.2 | | | | | | | |
| | 金属密封 | | | | | 0.4 | 1.1 | | | | | | | |
| 150 | 软密封 | | | | | 0.4 | 1.5 | 2.6 | | | | | | |
| | 金属密封 | | | | | | 0.4 | 1.3 | | | | | | |
| 200 | 软密封 | | | | | | 0.4 | 1.5 | 2.8 | | | | | |
| | 金属密封 | | | | | | | 0.5 | 1.4 | | | | | |
| 250 | 软密封 | | | | | | | 0.5 | 1.6 | 2.8 | | | | |
| | 金属密封 | | | | | | | | 0.5 | 1.2 | | | | |
| 300 | 软密封 | | | | | | | | 0.8 | 1.8 | 2.5 | | | |
| | 金属密封 | | | | | | | | | 0.6 | 1.0 | 3.0 | | |
| 350 | 软密封 | | | | | | | | | 1.0 | 1.8 | 3.0 | | |
| | 金属密封 | | | | | | | | | | 0.5 | 2.0 | | |
| 400 | 软密封 | | | | | | | | | 0.6 | 1.2 | 2.8 | | |
| | 金属密封 | | | | | | | | | | 0.4 | 1.4 | 2.7 | |
| 450 | 软密封 | | | | | | | | | | 0.8 | 2.2 | 3.0 | |
| | 金属密封 | | | | | | | | | | | 0.7 | 1.9 | |
| 500 | 软密封 | | | | | | | | | | 0.4 | 1.3 | 2.7 | |
| | 金属密封 | | | | | | | | | | | 0.4 | 1.4 | 2.4 |
| 600 | 软密封 | | | | | | | | | | | 1.0 | 2.3 | 3.0 |
| | 金属密封 | | | | | | | | | | | | 0.8 | 1.5 |

全电子式执行机构 Solid state electronic type

| DN(mm) | 型号 | 341R、381R | | | | | | | | | | |
|--------|---------|-----------|-----|-----|-----|-----|-----|------|------|------|------|------|
| | | 05 | 10 | 20 | 30 | 50 | 60 | 100 | 150 | 200 | 400 | 600 |
| | 扭矩 (Nm) | 50 | 100 | 200 | 300 | 500 | 600 | 1000 | 1500 | 2000 | 4000 | 6000 |
| 50 | 软密封 | 2.2 | | | | | | | | | | |
| | 金属密封 | 0.7 | | | | | | | | | | |
| 65 | 软密封 | 1.6 | 3.0 | | | | | | | | | |
| | 金属密封 | 0.5 | 2.2 | | | | | | | | | |
| 80 | 软密封 | | 2.5 | | | | | | | | | |
| | 金属密封 | | 1.2 | | | | | | | | | |
| 100 | 软密封 | | 1.6 | 2.5 | | | | | | | | |
| | 金属密封 | | 0.5 | 1.2 | | | | | | | | |
| 125 | 软密封 | | | 1.8 | 2.5 | | | | | | | |
| | 金属密封 | | | 0.6 | 1.3 | | | | | | | |
| 150 | 软密封 | | | | 1.8 | 3.0 | | | | | | |
| | 金属密封 | | | | 0.6 | 1.6 | | | | | | |
| 200 | 软密封 | | | | | 1.6 | 2.3 | | | | | |
| | 金属密封 | | | | | 0.6 | 1.0 | | | | | |
| 250 | 软密封 | | | | | | 1.3 | 2.5 | | | | |
| | 金属密封 | | | | | | 0.4 | 1.2 | | | | |
| 300 | 软密封 | | | | | | | 1.6 | 2.6 | | | |
| | 金属密封 | | | | | | | 0.5 | 1.3 | | | |
| 350 | 软密封 | | | | | | | | 1.8 | 3.0 | | |
| | 金属密封 | | | | | | | | 0.6 | 2.0 | | |
| 400 | 软密封 | | | | | | | | 1.5 | 2.8 | | |
| | 金属密封 | | | | | | | | 0.5 | 1.4 | | |
| 450 | 软密封 | | | | | | | | | 2.2 | 2.8 | |
| | 金属密封 | | | | | | | | | 0.7 | 1.5 | |
| 500 | 软密封 | | | | | | | | | 1.3 | 2.5 | |
| | 金属密封 | | | | | | | | | 0.4 | 1.2 | 2.0 |
| 600 | 软密封 | | | | | | | | | | 1.9 | 2.5 |
| | 金属密封 | | | | | | | | | | 0.6 | 1.2 |

外形尺寸 DIMENSIONS

气动单作用活塞式蝶阀（对夹式）Pneumatic single acting piston butterfly valve (wafer type)

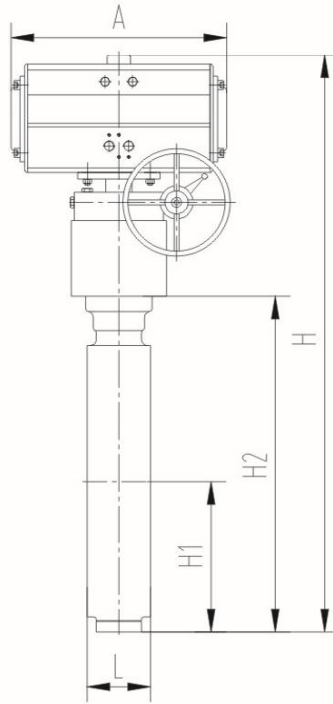


02

单位 UNIT: mm

| 公称通径 Body size | | H | H ₁ | H ₂ | A | L | |
|----------------|--------|------|----------------|----------------|------|---------|--------|
| DN | IN | | | | | 短 Short | 长 Long |
| 50 | 2" | 530 | 90 | 215 | 184 | 43 | 43 |
| 65 | 2-1/2" | 540 | 95 | 230 | 204 | 46 | 46 |
| 80 | 3" | 660 | 120 | 245 | 204 | 49 | 64 |
| 100 | 4" | 700 | 150 | 310 | 268 | 56 | 64 |
| 125 | 5" | 795 | 175 | 365 | 298 | 64 | 70 |
| 150 | 6" | 860 | 190 | 390 | 390 | 70 | 76 |
| 200 | 8" | 940 | 220 | 455 | 458 | 71 | 89 |
| 250 | 10" | 1130 | 250 | 515 | 525 | 76 | 114 |
| 300 | 12" | 1190 | 290 | 595 | 532 | 83 | 114 |
| 350 | 14" | 1290 | 320 | 650 | 1100 | 92 | 127 |
| 400 | 16" | 1385 | 350 | 710 | 1100 | 102 | 140 |
| 450 | 18" | 1520 | 375 | 775 | 1460 | 114 | 152 |
| 500 | 20" | 1640 | 415 | 865 | 1460 | 127 | 152 |
| 600 | 24" | 1730 | 450 | 930 | 1610 | 154 | 178 |

气动双作用活塞式蝶阀（对夹式） Pneumatic double acting piston butterfly valve (wafer type)



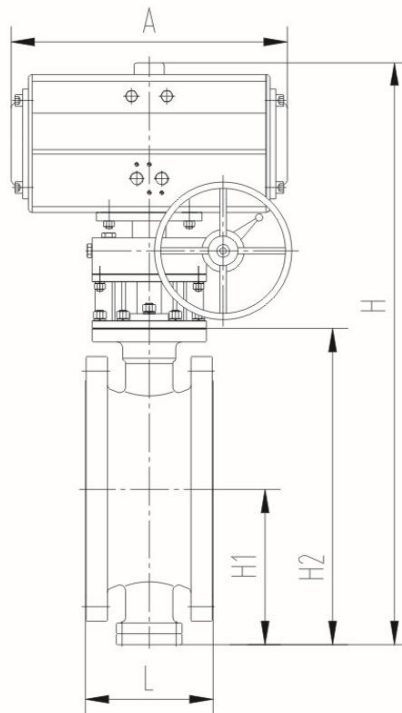
单位 UNIT: mm

| 公称口径 Body size | | H | H ₁ | H ₂ | A | L | |
|----------------|--------|------|----------------|----------------|------|---------|--------|
| DN | IN | | | | | 短 Short | 长 Long |
| 50 | 2" | 530 | 90 | 215 | 184 | 43 | 43 |
| 65 | 2-1/2" | 540 | 95 | 230 | 204 | 46 | 46 |
| 80 | 3" | 660 | 120 | 245 | 204 | 49 | 64 |
| 100 | 4" | 700 | 150 | 310 | 268 | 56 | 64 |
| 125 | 5" | 795 | 175 | 365 | 298 | 64 | 70 |
| 150 | 6" | 860 | 190 | 390 | 390 | 70 | 76 |
| 200 | 8" | 940 | 220 | 455 | 458 | 71 | 89 |
| 250 | 10" | 1130 | 250 | 515 | 525 | 76 | 114 |
| 300 | 12" | 1190 | 290 | 595 | 532 | 83 | 114 |
| 350 | 14" | 1290 | 320 | 650 | 1100 | 92 | 127 |
| 400 | 16" | 1385 | 350 | 710 | 1100 | 102 | 140 |
| 450 | 18" | 1520 | 375 | 775 | 1460 | 114 | 152 |
| 500 | 20" | 1640 | 415 | 865 | 1460 | 127 | 152 |
| 600 | 24" | 1730 | 450 | 930 | 1610 | 154 | 178 |

BR.W7 系列蝶阀
BR.W7 SERIES BUTTERFLY



气动单作用活塞式蝶阀（法兰式）Pneumatic single acting piston butterfly valve (flange type)

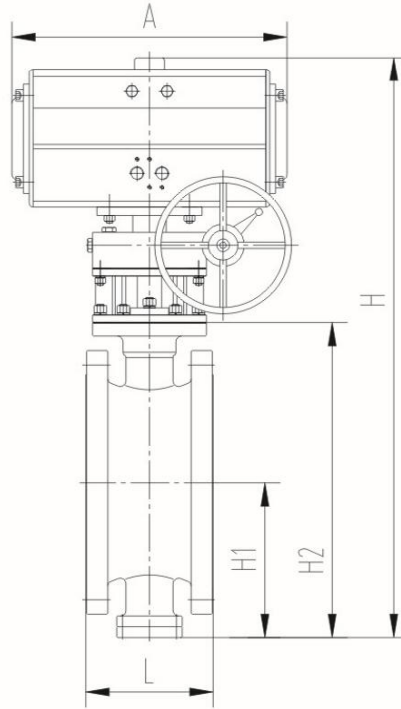


02

单位 UNIT: mm

| 公称通径 Body size | | H | H ₁ | H ₂ | A | L | |
|----------------|--------|------|----------------|----------------|------|---------|--------|
| DN | IN | | | | | 短 Short | 长 Long |
| 50 | 2" | 530 | 90 | 215 | 184 | 108 | 150 |
| 65 | 2-1/2" | 540 | 95 | 230 | 204 | 112 | 170 |
| 80 | 3" | 660 | 120 | 245 | 204 | 114 | 180 |
| 100 | 4" | 700 | 150 | 310 | 268 | 127 | 190 |
| 125 | 5" | 795 | 175 | 365 | 298 | 140 | 200 |
| 150 | 6" | 860 | 190 | 390 | 390 | 140 | 210 |
| 200 | 8" | 940 | 220 | 455 | 458 | 152 | 230 |
| 250 | 10" | 1130 | 250 | 515 | 525 | 165 | 250 |
| 300 | 12" | 1190 | 290 | 595 | 532 | 178 | 270 |
| 350 | 14" | 1290 | 320 | 650 | 1100 | 190 | 290 |
| 400 | 16" | 1385 | 350 | 710 | 1100 | 216 | 310 |
| 450 | 18" | 1520 | 375 | 775 | 1460 | 222 | 330 |
| 500 | 20" | 1640 | 415 | 865 | 1460 | 229 | 350 |
| 600 | 24" | 1730 | 450 | 930 | 1610 | 267 | 390 |

气动双作用活塞式蝶阀（法兰式） Pneumatic double acting piston butterfly valve (flange type)



单位 UNIT: mm

| 公称通径 Body size | | H | H ₁ | H ₂ | A | L | |
|----------------|--------|------|----------------|----------------|------|---------|--------|
| DN | IN | | | | | 短 Short | 长 Long |
| 50 | 2" | 530 | 90 | 215 | 168 | 108 | 150 |
| 65 | 2-1/2" | 540 | 95 | 230 | 184 | 112 | 170 |
| 80 | 3" | 660 | 120 | 245 | 204 | 114 | 180 |
| 100 | 4" | 700 | 150 | 310 | 268 | 127 | 190 |
| 125 | 5" | 795 | 175 | 365 | 298 | 140 | 200 |
| 150 | 6" | 860 | 190 | 390 | 390 | 140 | 210 |
| 200 | 8" | 940 | 220 | 455 | 458 | 152 | 230 |
| 250 | 10" | 1130 | 250 | 515 | 525 | 165 | 250 |
| 300 | 12" | 1190 | 290 | 595 | 532 | 178 | 270 |
| 350 | 14" | 1290 | 320 | 650 | 835 | 190 | 290 |
| 400 | 16" | 1385 | 350 | 710 | 835 | 216 | 310 |
| 450 | 18" | 1520 | 375 | 775 | 1140 | 222 | 330 |
| 500 | 20" | 1640 | 415 | 865 | 1140 | 229 | 350 |
| 600 | 24" | 1730 | 450 | 930 | 1140 | 267 | 390 |

BR.W71F系列衬里蝶阀 BR.W71F Series lined butterfly valves

阀本体 VALVE BODY

| | |
|-----------------------------------|----------------------------------------------------------------|
| 型式 Type | 衬里蝶阀 lined butterfly valves |
| 公称通径 Body size | 50 ~ 1200 mm(2" ~ 48") |
| 公称压力 Body ratings | PN10, 16 ANSI CLASS 150 |
| 连接方式 Connections | 法兰式 (RF) Flanged(RF) 对夹式 Wafer |
| 法兰标准 Flange standard | HG/T20592 HG/T20615 ANSI B16.5 |
| 阀体及阀盖材质 Body & Bonnet Material | Qt450 WCB CF8 衬橡胶衬塑料…… |
| 上阀盖型式 Bonnet type | 标准型 Standard type -29 ~ +200 °C |
| 填料 Packing | V 型聚四氟乙烯 V-PTFE 柔性石墨 Flexible Graphite |
| 流量特性 Characteristics | 近似等百分比 Approximate equal percentage |
| 可调比 R Rangeability R | 30:1 |
| 泄漏量 Seat leakage | 软密封 Soft seal: VI 级 |
| 涂层 Painting color | 按要求 As required 不锈钢阀体不涂漆 Stainless steel body have no paint |

执行机构 ACTUATOR

| | 活塞式 Piston type | 全电子式 Solid state electronic type | 电动式 Electrodynamic |
|---------------------------------------|------------------------------------------------------------------------------------------------------------------------------------------------------------------|--------------------------------------------------------------------------------------------------------|-------------------------------------------|
| 用途 Use | 调节、开关 Modulation or On-off | 调节、开关 Modulation or On-off | 调节、开关 Modulation or On-off |
| 气源 / 电源 Air supply or power supply | 0.4 ~ 0.6MPa | 220V.AC 50Hz 380V.AC 50Hz | 220V.AC 50Hz 380V.AC 50Hz |
| 接口 Connection | Rc1/4", Rc1/2", Rc3/8" | 配线 :2-G1/2" | 配线 :2-G1/2" |
| 正作用 Direct action | 气压增加阀闭 Air to valve shut | 输入信号增加阀闭 Signal increase to valve shut | 输入信号增加阀闭 Signal increase to valve shut |
| 反作用 Reverse action | 气压增加阀开 Air to valve open | 输入信号增加阀开 Signal increase to valve open | 输入信号增加阀开 Signal increase to valve open |
| 死区 Dead band | ≤ 2.5% (带定位器) | ≤ 2.5% | ≤ 2.5% |
| 回差 Hysteresis | ≤ 1.0% (带定位器) | ≤ 1.5% | ≤ 2.5% |
| 环境温度 Ambient Temp. | -40 ~ +70 °C | -10 ~ +55 °C | |
| 可选阀门附件 Optional valve attachment | 电气阀门定位器, 过滤减压器, 电磁阀, 限位开关, 保位阀, 手动装置 Electrical valve positioner, filter pressure reducer, solenoid valve, Limit switch, position saving valve, manual device | 微动开关、电位器、空间加热器、接线盒、手动手柄等 Microswitch, potentiometer, space heater, junction box, manual handle, etc | |

材质 MATERIAL

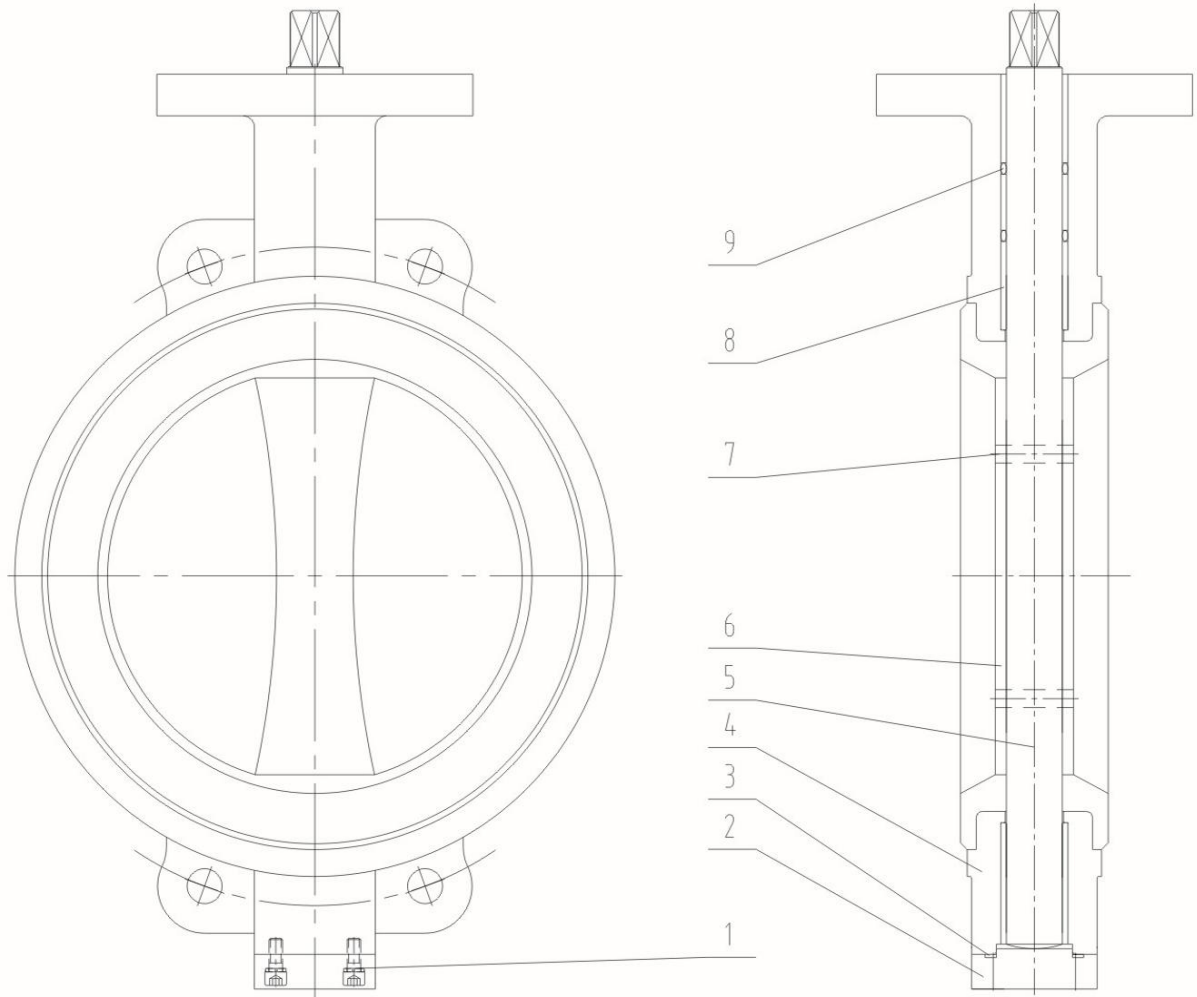
| | | |
|----------------------|----------------------|--------------------|
| 阀体 Body | QT450、WCB、CF8 衬 EPDM | QT450、WCB、CF8 衬 CR |
| 阀板 Disc | CF8、CF8M、2205 | |
| 阀杆 Stem | 17-4PH、316、2205 | |
| 使用温度 Operating Temp. | -29~150 °C | -20~120 °C |
| 阀座泄漏量 Seat Leakage | VI | VI |

| | | | | |
|----------------------|----------------------|------------------|---------------------|-----------------|
| 阀体 Body | QT450、WCB、CF8 衬 PTFE | | QT450、WCB、CF8 衬 PFA | |
| 阀板 Disc | CF8、CF8M | QT450、WCB 衬 PTFE | CF8、CF8M | QT450、WCB 衬 PFA |
| 阀杆 Stem | 17-4PH、316 | | | |
| 使用温度 Operating Temp. | -29~160 °C | | -29~180 °C | |
| 阀座泄漏量 Seat Leakage | VI | | VI | |

额定Cv RATED CV

| DN | 90° | DN | 90° |
|-----|------|------|-------|
| 50 | 69 | 400 | 9000 |
| 65 | 125 | 450 | 11300 |
| 80 | 265 | 500 | 13800 |
| 100 | 470 | 600 | 20200 |
| 125 | 745 | 700 | 31200 |
| 150 | 1330 | 800 | 41200 |
| 200 | 2280 | 900 | 51500 |
| 250 | 3690 | 1000 | 63500 |
| 300 | 5080 | 1100 | 77600 |
| 350 | 6810 | 1200 | 93600 |

阀体结构 BODY CONSTRUCTION



03

| 序号 NO | 名称 Name | 序号 NO | 名称 Name | 序号 NO | 名称 Name |
|-------|-----------|-------|---------|-------|---------------------|
| 1 | 螺钉 Screw | 4 | 阀体 Body | 7 | 圆柱销 Cylindrical pin |
| 2 | 底盖 Bottom | 5 | 阀杆 Stem | 8 | 轴套 Axle sleeve |
| 3 | 垫圈 Gasket | 6 | 阀板 Disc | 9 | O 型圈 O-rings |

最大允许压差 (单位: MPa)
MAXIMAL ALLOWABLE PRESSURE DROPS (UNIT: MPa)

气动活塞式执行机构 (单作用) Pneumatic piston actuator (single action)

| 执行机构 型号规格 | 输出力矩 Nm | DN | | | | | | | | | | | | | |
|--------------|------------|-----|-----|-----|-----|-----|-----|-----|-----|-----|-----|-----|-----|-----|-----|
| | | 50 | 65 | 80 | 100 | 125 | 150 | 200 | 250 | 300 | 350 | 400 | 450 | 500 | 600 |
| SR-105 | 48.7 | 1.0 | 1.0 | 1.0 | | | | | | | | | | | |
| SR-140 | 133.8 | | | | 1.0 | 1.0 | | | | | | | | | |
| SR-160 | 184.2 | | | | | | 1.0 | | | | | | | | |
| SR-210 | 413 | | | | | | | 1.0 | 1.0 | | | | | | |
| SR-270 | 1025 | | | | | | | | | 1.0 | | | | | |
| SR-350 | 1544 | | | | | | | | | | 1.0 | 1.0 | | | |
| SR-400 | 1939 | | | | | | | | | | | | 1.0 | | |
| SR-500 | 5055 | | | | | | | | | | | | | 1.0 | 1.0 |

气动活塞式执行机构 (双作用) Pneumatic piston actuator (double acting)

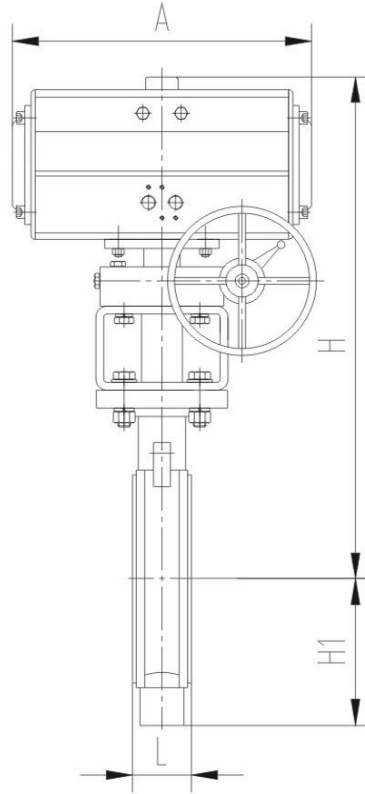
| 执行机构 型号规格 | 输出力矩 Nm | DN | | | | | | | | | | | | | |
|--------------|------------|-----|-----|-----|-----|-----|-----|-----|-----|-----|-----|-----|-----|-----|-----|
| | | 50 | 65 | 80 | 100 | 125 | 150 | 200 | 250 | 300 | 350 | 400 | 450 | 500 | 600 |
| DA-75 | 40.3 | 1.0 | 1.0 | 1.0 | | | | | | | | | | | |
| DA-105 | 131.6 | | | | 1.0 | 1.0 | | | | | | | | | |
| DA-125 | 205 | | | | | 1.0 | 1.0 | | | | | | | | |
| DA-160 | 535 | | | | | | | 1.0 | 1.0 | | | | | | |
| DA-240 | 1546 | | | | | | | | | 1.0 | 1.0 | | | | |
| DA-270 | 2349 | | | | | | | | | | | 1.0 | 1.0 | | |
| DA-350 | 4570 | | | | | | | | | | | | | 1.0 | 1.0 |

全电子式执行机构 Solid state electronic type

| 执行机构 型号规格 | 输出力矩 Nm | DN | | | | | | | | | | | | | |
|--------------|------------|-----|-----|-----|-----|-----|-----|-----|-----|-----|-----|-----|-----|-----|-----|
| | | 50 | 65 | 80 | 100 | 125 | 150 | 200 | 250 | 300 | 350 | 400 | 450 | 500 | 600 |
| RSA-05 | 50 | 1.0 | 1.0 | 1.0 | | | | | | | | | | | |
| RSB-10 | 100 | | | | 1.0 | 1.0 | | | | | | | | | |
| RSC-30 | 300 | | | | | | 1.0 | | | | | | | | |
| RSC-60 | 600 | | | | | | | 1.0 | 1.0 | | | | | | |
| RSD-100 | 1000 | | | | | | | | | 1.0 | | | | | |
| RSD-150 | 1500 | | | | | | | | | | 1.0 | 1.0 | | | |
| RSD-200 | 2000 | | | | | | | | | | | | 1.0 | | |
| RSD-400 | 4000 | | | | | | | | | | | | | 1.0 | 1.0 |

外形尺寸 DIMENSIONS

气动活塞式执行机构 (单作用) Pneumatic piston actuator (single action)



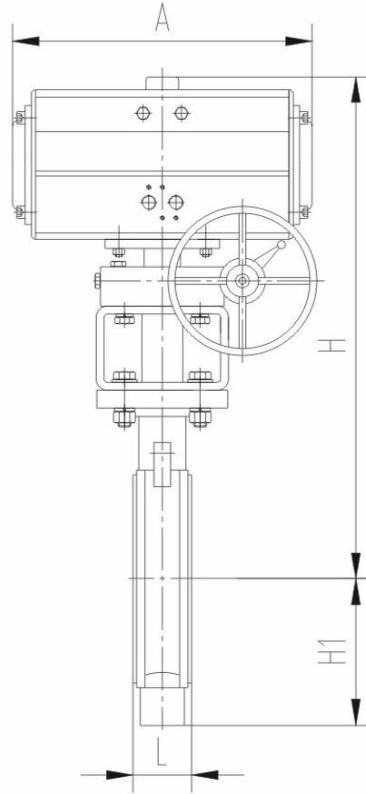
单位 UNIT: mm

| 公称通径 Body size | | L | H1 | H | A | 型号 |
|----------------|--------|-----|-----|------|------|-------|
| DN | IN | | | | | |
| 50 | 2" | 43 | 78 | 480 | 290 | SR110 |
| 65 | 2-1/2" | 46 | 83 | 495 | 290 | SR110 |
| 80 | 3" | 46 | 92 | 510 | 290 | SR110 |
| 100 | 4" | 52 | 106 | 600 | 400 | SR140 |
| 125 | 5" | 56 | 123 | 630 | 400 | SR140 |
| 150 | 6" | 56 | 136 | 648 | 438 | SR160 |
| 200 | 8" | 60 | 165 | 675 | 550 | SR210 |
| 250 | 10" | 68 | 198 | 830 | 550 | SR210 |
| 300 | 12" | 78 | 229 | 895 | 660 | SR280 |
| 350 | 14" | 78 | 275 | 1055 | 830 | SR350 |
| 400 | 16" | 102 | 320 | 1125 | 830 | SR350 |
| | | | | 1230 | 960 | SR400 |
| 450 | 18" | 112 | 340 | 1280 | 960 | SR400 |
| 500 | 20" | 127 | 362 | 1410 | 1052 | SR500 |
| 600 | 24" | 154 | 380 | 1480 | 1052 | Sr500 |

BR.W7 系列蝶阀
BR.W7 SERIES BUTTERFLY



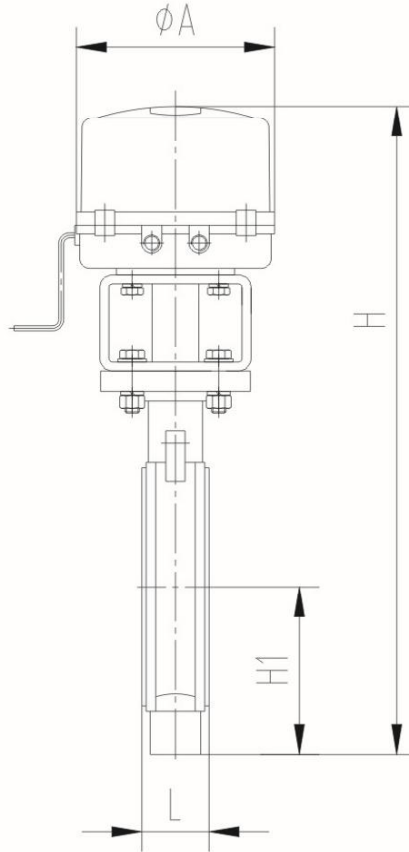
气动活塞式执行机构 (双作用) Pneumatic piston actuator (double acting)



单位 UNIT: mm

| 公称通径 Body size | | L | H1 | H | A | 型号 |
|----------------|--------|-----|-----|------|-----|-------|
| DN | IN | | | | | |
| 50 | 2" | 43 | 78 | 480 | 250 | DA085 |
| 65 | 2-1/2" | 46 | 83 | 495 | 250 | DA085 |
| 80 | 3" | 46 | 92 | 510 | 250 | DA085 |
| 100 | 4" | 52 | 106 | 600 | 290 | DA110 |
| 125 | 5" | 56 | 123 | 630 | 290 | DA110 |
| | | | | 648 | 345 | DA125 |
| 150 | 6" | 56 | 136 | 675 | 345 | DA125 |
| 200 | 8" | 60 | 165 | 830 | 438 | DA160 |
| 250 | 10" | 68 | 198 | 895 | 438 | DA160 |
| 300 | 12" | 78 | 229 | 1055 | 550 | DA210 |
| 350 | 14" | 78 | 275 | 1125 | 550 | DA210 |
| 400 | 16" | 102 | 320 | 1230 | 660 | DA280 |
| 450 | 18" | 112 | 340 | 1280 | 660 | DA280 |
| 500 | 20" | 127 | 362 | 1410 | 830 | DA350 |
| 600 | 24" | 154 | 380 | 1480 | 830 | Da350 |

全电子式执行机构 Solid state electronic type



单位 UNIT: mm

| 公称通径 Body size | | L | H1 | H | A | 型号规格 |
|----------------|--------|-----|-----|------|-----|-------------|
| DN | IN | | | | | |
| 50 | 2" | 43 | 78 | 523 | 225 | RSA-05 |
| 65 | 2-1/2" | 46 | 83 | 550 | 225 | RSA-05 |
| 80 | 3" | 46 | 92 | 566 | 225 | RSA-05 |
| 100 | 4" | 52 | 106 | 640 | 255 | RSB-10 |
| 125 | 5" | 56 | 123 | 670 | 255 | RSB-10 / 20 |
| 150 | 6" | 56 | 136 | 695 | 255 | RSB-20 |
| 200 | 8" | 60 | 165 | 895 | 335 | RSC-50 |
| 250 | 10" | 68 | 198 | 930 | 335 | RSC-50 |
| 300 | 12" | 78 | 229 | 1125 | 470 | RSD-100 |
| 350 | 14" | 78 | 275 | 1195 | 470 | RSD-150 |
| 400 | 16" | 102 | 320 | 1270 | 470 | RSD-150 |
| 450 | 18" | 112 | 340 | 1320 | 470 | RSD-200 |
| 500 | 20" | 127 | 362 | 1385 | 470 | RSD-200 |
| 600 | 24" | 154 | 380 | 1440 | 470 | RSD-400 |

BR.W76S系列低负载蝶阀 BR.W76S Series low load butterfly valves

阀本体 VALVE BODY

| | |
|-----------------------------------|--------------------------------------------------------------------------|
| 型 式 Type | 低负载蝶阀 Low load butterfly valve |
| 公称通径 Body size | 80 ~ 2400 mm(2" ~ 96") |
| 公称压力 Body ratings | PN2.5,6,10,16 ANSI Class 75,150 |
| 连接方式 Connections | 法兰式 (RF) Flanged(RF) |
| 法兰标准 Flange standard | HG/T20592 HG/T20615 ANSI B16.5 |
| 阀体及阀盖材质 Body & Bonnet Material | Q235 20 304 316 310…… |
| 上阀盖型式 Bonnet type | 标准型 Standard type -29 ~ +200 °C 散热型 Fin-Extension type +200 ~ +800 °C |
| 填 料 Packing | V 型聚四氟乙烯 V-PTFE 柔性石墨 Flexible Graphite |
| 流量特性 Characteristics | 近似等百分比 Approximate equal percentage |
| 可调比 R Rangeability R | 30:1 |
| 泄漏量 Seat leakage | 软密封 Soft seal: VI 级 |
| 涂 层 Painting color | 按要求 As required 不锈钢阀体不涂漆 Stainless steel body have no paint |

执行机构 ACTUATOR

| | 活塞式 Piston type | 全电子式 Solid state electronic type | 电动式 Electrodynamic |
|---------------------------------------|------------------------------------------------------------------------------------------------------------------------------------------------------------------|--------------------------------------------------------------------------------------------------------|-------------------------------------------|
| 用途 Use | 调节、开关 Modulation or On-off | 调节、开关 Modulation or On-off | 调节、开关 Modulation or On-off |
| 气源 / 电源 Air supply or power supply | 0.4 ~ 0.6MPa | 220V.AC 50Hz 380V.AC 50Hz | 220V.AC 50Hz 380V.AC 50Hz |
| 接口 Connection | Rc1/4", Rc1/2", Rc3/8" | 配线 :2-G1/2" | 配线 :2-G1/2" |
| 正作用 Direct action | 气压增加阀闭 Air to valve shut | 输入信号增加阀闭 Signal increase to vavle shut | 输入信号增加阀闭 Signal increase to vavle shut |
| 反作用 Reverse action | 气压增加阀开 Air to valve open | 输入信号增加阀开 Signal increase to vavle open | 输入信号增加阀开 Signal increase to vavle open |
| 死区 Dead band | ≤ 1.5% (带定位器) | ≤ 1.5% | ≤ 2.5% |
| 回差 Hysteresis | ≤ 0.6% (带定位器) | ≤ 1.5% | ≤ 2.5% |
| 环境温度 Ambient Temp. | -40 ~ +70 °C | -10 ~ +55 °C | |
| 可选阀门附件 Optional valve attachment | 电气阀门定位器, 过滤减压器, 电磁阀, 限位开关, 保位阀, 手动装置 Electrical valve positioner, filter pressure reducer, solenoid valve, Limit switch, position saving valve, manual device | 微动开关、电位器、空间加热器、接线盒、手动手柄等 Microswitch, potentiometer, space heater, junction box, manual handle, etc | |

材质 MATERIAL



外部轴承型 External bearing type (<400° C)

| | | | | | | | |
|----------------------|-----------------------------------------------------------------------------------------------------------|-------|-------|-----|-----|-------|-----|
| 阀体 Body | Q235A | Q235A | 304 | 304 | 304 | 304 | 316 |
| 法兰 Flange | Q235A | Q235A | Q235A | 304 | 304 | Q235A | 316 |
| 阀板 Disc | Q235A | 304 | 304 | 304 | 316 | 316 | 316 |
| 阀轴 Stem | 304 | 304 | 304 | 304 | 316 | 316 | 316 |
| 使用温度 Operating Temp. | 开放型、后座型 -10~400° C; 15° 密封型 -10~150° C Open type, Backseat type -10~400° C; 15° sealed type -10~150° C | | | | | | |

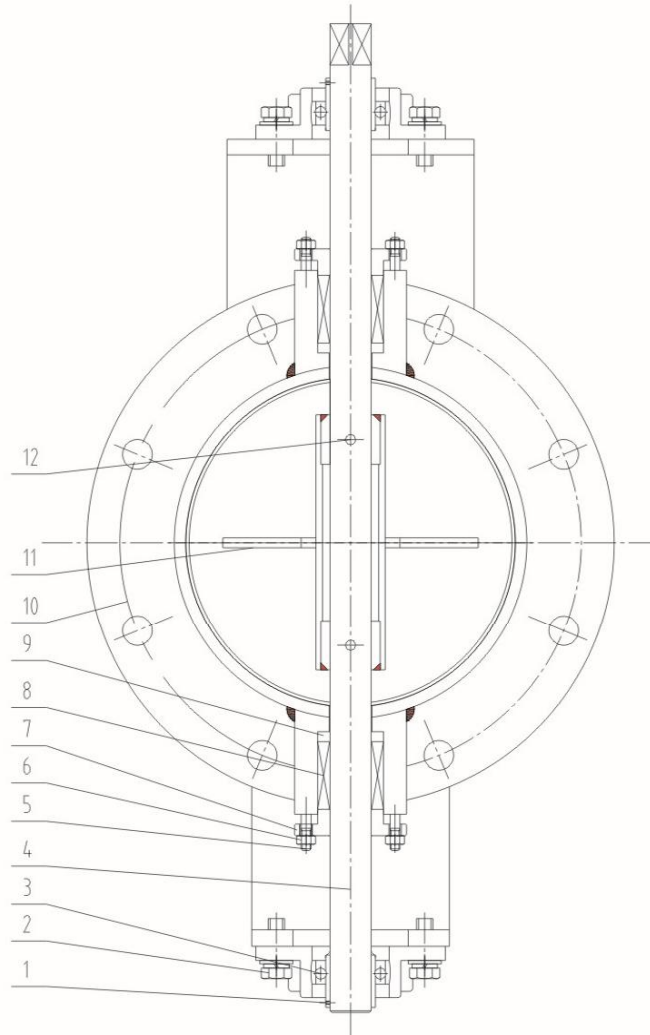
外部轴承型 External bearing type (<400° C)

| | | | | | | |
|----------------------|-----------------------------------------------------------------|-----|-----|-----|-----|-----|
| 阀体 Body | 304 | 304 | 316 | 304 | 304 | 316 |
| 法兰 Flange | 304 | 304 | 316 | 304 | 304 | 316 |
| 阀板 Disc | 304 | 316 | 316 | 304 | 316 | 316 |
| 阀轴 Stem | 304 | 316 | 316 | 304 | 316 | 316 |
| 使用温度 Operating Temp. | 开放型、后座型 400° C~650° C Open type, Backseat type 400° C~650° C | | | | | |

泄漏量 SEAT LEAKAGE

| 阀板类型 Disc type | 开放型 Open type | 15° 密封型 15° sealed type | 后座型 Backseat type |
|-------------------------|---------------------------|-------------------------------------------------------------------------------------|-------------------------------------------------------------------------------------|
| | |  |  |
| DN | 泄漏量 Leakage ≤ Cv% (90°) | | |
| DN80 | 5.0% | 0.5% | 2.0% |
| 100~250 | 3.5% | 0.45% | 2.0% |
| 300~450 | 3.0% | 0.4% | 1.5% |
| 500~750 | 2.0% | 0.3% | 1.0% |
| 800~1600 | 1.5% | 0.2% | 1.0% |
| 使用温度 Operating Temp. | 600° C | 150° C | 650° C |

阀体结构 BODY CONSTRUCTION



04

| 序号 NO | 名称 Name | 序号 NO | 名称 Name | 序号 NO | 名称 Name |
|-------|---------------|-------|-----------------------|-------|---------------------|
| 1 | 螺钉 Screw | 5 | 双头螺柱 Double end studs | 9 | 填料垫 Packing seat |
| 2 | 六角螺栓 Hex bolt | 6 | 六角螺母 Nut | 10 | 阀体 Body |
| 3 | 轴承 Bearing | 7 | 压板 Pressure plate | 11 | 阀板 Disc |
| 4 | 阀杆 Stem | 8 | 填料 Packing | 12 | 圆柱销 Cylindrical pin |

流量特性 FLOW CHARACTERISTICS

| 公称通径 Body size | | 60° | | | 90° | | |
|-------------------|-----|--------|---------|--------|--------|---------|--------|
| DN | IN | 开放型 | 15° 密封型 | 后座型 | 开放型 | 15° 密封型 | 后座型 |
| 80 | 3" | 160 | 150 | --- | 320 | 320 | --- |
| 100 | 4" | 280 | 265 | --- | 560 | 560 | --- |
| 125 | 5" | 450 | 420 | 310 | 900 | 900 | 585 |
| 150 | 6" | 650 | 585 | 460 | 1300 | 1300 | 850 |
| 200 | 8" | 1100 | 1010 | 790 | 2300 | 2300 | 1500 |
| 250 | 10" | 1700 | 1630 | 1300 | 3500 | 3500 | 2550 |
| 300 | 12" | 2500 | 2400 | 2000 | 5200 | 5200 | 3900 |
| 350 | 14" | 3400 | 3200 | 2770 | 6800 | 6800 | 5500 |
| 400 | 16" | 4400 | 4200 | 3600 | 9000 | 9000 | 7400 |
| 450 | 18" | 5500 | 5300 | 4500 | 11000 | 11000 | 9100 |
| 500 | 20" | 6800 | 6500 | 5500 | 14000 | 14000 | 11500 |
| 550 | 22" | 8200 | 7800 | 6600 | 17500 | 17500 | 14000 |
| 600 | 24" | 9800 | 9300 | 8000 | 20500 | 20500 | 17000 |
| 650 | 26" | 12000 | 10900 | 10000 | 24000 | 24000 | 20500 |
| 700 | 28" | 14000 | 12600 | 11300 | 28000 | 28000 | 23900 |
| 750 | 30" | 16000 | 14500 | 13000 | 32000 | 32000 | 27800 |
| 800 | 32" | 18000 | 16500 | 15000 | 36000 | 36000 | 31500 |
| 850 | 34" | 20000 | 18600 | 17000 | 41000 | 41000 | 36000 |
| 900 | 36" | 23000 | 20900 | 19000 | 46000 | 46000 | 41000 |
| 1000 | 40" | 27000 | 25000 | 23400 | 57000 | 57000 | 49000 |
| 1100 | 44" | 34000 | | 28300 | 68000 | | 61000 |
| 1200 | 48" | 39000 | | 33600 | 81000 | | 73000 |
| 1300 | 52" | 46000 | | 39400 | 95000 | | 85600 |
| 1350 | 54" | 49200 | | 42400 | 103500 | | 923000 |
| 1400 | 56" | 56000 | | 48300 | 113600 | | 109000 |
| 1500 | 60" | 61000 | | 52300 | 125000 | | 115000 |
| 1600 | 64" | 69100 | | 55900 | 140800 | | 130500 |
| 1700 | 68" | 82900 | | 67000 | 164000 | | 147000 |
| 1800 | 72" | 99000 | | 84900 | 201500 | | 186500 |
| 2000 | 80" | 121500 | | 104800 | 249000 | | 214600 |
| 2100 | 84" | 134000 | | 115500 | 274500 | | 236600 |
| 2400 | 96" | 174500 | | 150400 | 358000 | | 308600 |

最大允许压差 (单位: MPa)
MAXIMAL ALLOWABLE PRESSURE DROPS (UNIT: MPa)

气动活塞式执行机构 (双作用) Pneumatic piston actuator (double acting)

| 公称通径 Body size | | 关闭压 Shut-off DP. | | | 执行机构 Actuator | | | | | | | | | |
|-------------------|-----|------------------|-----------|-----------|---------------|-------|-------|-------|-------|-------|-------|-------|-------|-------|
| | | <200 ℃ | <400 ℃ | <600 ℃ | DA085 | DA110 | DA125 | DA140 | DA160 | DA190 | DA210 | DA250 | DA280 | DA300 |
| DN | IN | | | | AT250 | AT300 | AT400 | AT450 | AT500 | AT550 | AT600 | AT650 | AT700 | AT750 |
| 80 | 3" | 490 | 159 | 119 | 69.7 | | | | | | | | | |
| 100 | 4" | 490 | 94 | 70 | 35 | | | | | | | | | |
| 125 | 5" | 392 | 60.7 | 45 | 30 | | | | | | | | | |
| 150 | 6" | 279 | 78.4 | 61.7 | | 31.7 | | | | | | | | |
| 200 | 8" | 190 | 46 | 34.3 | | 13.6 | | | | | | | | |
| 250 | 10" | 97 | 26.4 | 19.6 | | 4.6 | | | | | | | | |
| 300 | 12" | 55.8 | 16.6 | 12.7 | | 2.7 | 7.9 | | | | | | | |
| 350 | 14" | 60.7 | 17.6 | 13.7 | | | 3.8 | | | | | | | |
| 400 | 16" | 41.1 | 13.7 | 9.8 | | | 2.6 | | | | | | | |
| 450 | 18" | 28.4 | 10.7 | 7.8 | | | 1.9 | | | | | | | |
| 500 | 20" | 49.9 | 22.5 | 16.6 | | | | 1.7 | 4.6 | 6.4 | | | | |
| 550 | 22" | 37.2 | 17.6 | 14.7 | | | | 1.3 | 3.5 | 4.8 | | | | |
| 600 | 24" | 15.6 | 15.6 | 11.7 | | | | 1.1 | 2.7 | 3.7 | | | | |
| 650 | 26" | 13.7 | 13.7 | 9.8 | | | | | 2.1 | 2.9 | | | | |
| 700 | 28" | 11.7 | 11.7 | 8.8 | | | | | 1.6 | 2.3 | | | | |
| 750 | 30" | 26.4 | 26.4 | 18.6 | | | | | 1.3 | 1.9 | 4.2 | | | |
| 800 | 32" | 23.5 | 23.5 | 17.6 | | | | | | 1.6 | 3.5 | 7.1 | 9.6 | 14.4 |
| 850 | 34" | 20.5 | 20.5 | 14.7 | | | | | | | | 5.7 | 8.0 | 12 |
| 900 | 36" | 18.6 | 18.6 | 12.7 | | | | | | | | 4.8 | 6.7 | 10 |
| 1000 | 40" | 13.9 | 13.9 | 12.5 | | | | | | | | 3.5 | 4.9 | 7.3 |
| 1100 | 44" | 11.2 | 11.2 | 10.0 | | | | | | | | 2.5 | 3.6 | 5.4 |
| 1200 | 48" | 9.30 | 9.30 | 8.40 | | | | | | | | 1.9 | 2.7 | 4.0 |
| 1300 | 52" | 10.5 | 10.5 | 9.40 | | | | | | | | 1.0 | 2.1 | 3.1 |
| 1400 | 56" | 9.70 | 9.70 | 8.70 | | | | | | | | | 1.9 | 2.8 |
| 1500 | 60" | 7.50 | 7.50 | 6.70 | | | | | | | | | 1.4 | 2.1 |
| 1600 | 64" | 6.30 | 6.30 | 5.70 | | | | | | | | | 1.0 | 1.5 |

BR.W7 系列蝶阀
BR.W7 SERIES BUTTERFLY



气动活塞式执行机构（单作用） Pneumatic piston actuator (single action)

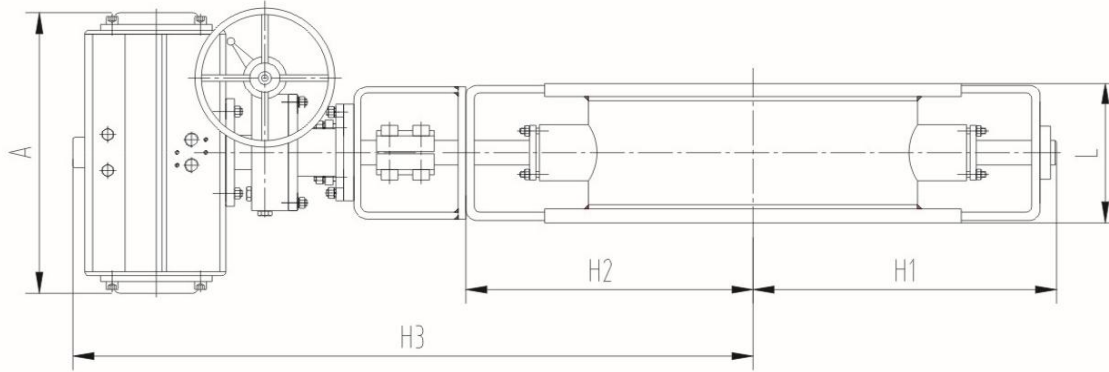
| 公称通径 Body size | | 关闭压 Shut-off DP. | | | 执行机构 Actuator | | | | | | | | | |
|-------------------|-----|------------------|-----------|-----------|---------------|-------|-------|-------|-------|-------|-------|-------|-------|-------|
| | | <200 ℃ | <400 ℃ | <600 ℃ | SR110 | SR125 | SR140 | SR160 | SR190 | SR210 | SR250 | SR280 | SR300 | SR350 |
| DN | IN | | | | AT300 | AT400 | AT450 | AT500 | AT550 | AT600 | AT650 | AT700 | AT750 | AT800 |
| 80 | 3" | 490 | 159 | 119 | 49.6 | | | | | | | | | |
| 100 | 4" | 490 | 94 | 70 | 25.3 | | | | | | | | | |
| 125 | 5" | 392 | 60.7 | 45 | 13 | | | | | | | | | |
| 150 | 6" | 279 | 78.4 | 61.7 | 7.5 | 28.0 | | | | | | | | |
| 200 | 8" | 190 | 46 | 34.3 | 3.2 | 11.8 | 17.8 | | | | | | | |
| 250 | 10" | 97 | 26.4 | 19.6 | | 3.8 | 5.9 | 12.1 | | | | | | |
| 300 | 12" | 55.8 | 16.6 | 12.7 | | 2.1 | 3.1 | 7.0 | | | | | | |
| 350 | 14" | 60.7 | 17.6 | 13.7 | | | 2.3 | 4.4 | 10.1 | | | | | |
| 400 | 16" | 41.1 | 13.7 | 9.8 | | | | 2.9 | 6.8 | | | | | |
| 450 | 18" | 28.4 | 10.7 | 7.8 | | | | 2.1 | 4.7 | | | | | |
| 500 | 20" | 49.9 | 22.5 | 16.6 | | | | | 3.0 | | | | | |
| 550 | 22" | 37.2 | 17.6 | 14.7 | | | | | 2.3 | | | | | |
| 600 | 24" | 15.6 | 15.6 | 11.7 | | | | | 1.8 | | | | | |
| 650 | 26" | 13.7 | 13.7 | 9.8 | | | | | 1.4 | | | | | |
| 700 | 28" | 11.7 | 11.7 | 8.8 | | | | | 0.9 | 2.9 | | | | |
| 750 | 30" | 26.4 | 26.4 | 18.6 | | | | | | 2.1 | 5.1 | | | |
| 800 | 32" | 23.5 | 23.5 | 17.6 | | | | | | 1.8 | 3.7 | | | |
| 850 | 34" | 20.5 | 20.5 | 14.7 | | | | | | 1.3 | 3.0 | | | |
| 900 | 36" | 18.6 | 18.6 | 12.7 | | | | | | 1.1 | 2.6 | | | |
| 1000 | 40" | 13.9 | 13.9 | 12.5 | | | | | | 0.8 | 1.8 | 2.5 | 4.0 | 4.0 |
| 1100 | 44" | 11.2 | 11.2 | 10.0 | | | | | | | 1.4 | 1.9 | 3.0 | 3.0 |
| 1200 | 48" | 9.30 | 9.30 | 8.40 | | | | | | | 1.0 | 1.4 | 2.3 | 2.3 |
| 1300 | 52" | 10.5 | 10.5 | 9.40 | | | | | | | 0.8 | 1.0 | 1.7 | 1.7 |
| 1400 | 56" | 9.70 | 9.70 | 8.70 | | | | | | | | 0.9 | 1.5 | 1.5 |
| 1500 | 60" | 7.50 | 7.50 | 6.70 | | | | | | | | | 1.1 | 1.0 |
| 1600 | 64" | 6.30 | 6.30 | 5.70 | | | | | | | | | 0.9 | 0.8 |

全电子式执行机构 Solid state electronic type

| 公称通径 Body size | | 关闭压 Shut-off DP. | | | 填料 Packing:V 型聚四氟乙烯 V-PTFE | | | | | | 填料 Packing: 柔性石墨 Flexible Graphite | | | | | |
|-------------------|-----|------------------|-----------|-----------|----------------------------|------|------|------|------|------|------------------------------------|------|------|------|------|------|
| | | <200 ℃ | <400 ℃ | <600 ℃ | 50 | 200 | 300 | 600 | 1000 | 1500 | 50 | 200 | 300 | 600 | 1000 | 1500 |
| DN | IN | | | | A05 | B20 | C30 | C60 | D100 | D150 | A05 | B20 | C30 | C60 | D100 | D150 |
| 80 | 3" | 490 | 159 | 119 | 266 | | | | | | 120 | | | | | |
| 100 | 4" | 490 | 94 | 70 | 134 | | | | | | 62.0 | | | | | |
| 125 | 5" | 392 | 60.7 | 45 | 69.2 | | | | | | 51.1 | | | | | |
| 150 | 6" | 279 | 78.4 | 61.7 | 43.2 | 184 | | | | | 37.1 | 158 | | | | |
| 200 | 8" | 190 | 46 | 34.3 | 18.1 | 71.3 | | | | | 15.6 | 61.5 | | | | |
| 250 | 10" | 97 | 26.4 | 19.6 | 7.9 | 36.4 | | | | | 5.3 | 24.7 | | | | |
| 300 | 12" | 55.8 | 16.6 | 12.7 | | 21.1 | | | | | | 14.4 | | | | |
| 350 | 14" | 60.7 | 17.6 | 13.7 | | 13.2 | 21.9 | 43.9 | | | | 10.9 | 18.1 | 36.3 | | |
| 400 | 16" | 41.1 | 13.7 | 9.8 | | 8.8 | 14.6 | 29.3 | | | | 7.1 | 11.8 | 23.6 | | |
| 450 | 18" | 28.4 | 10.7 | 7.8 | | 6.2 | 10.2 | 20.5 | | | | 5.1 | 8.3 | 16.7 | | |
| 500 | 20" | 49.9 | 22.5 | 16.6 | | | | 14.4 | | | | | | 12.7 | | |
| 550 | 22" | 37.2 | 17.6 | 14.7 | | | | 10.8 | | | | | | 9.47 | | |
| 600 | 24" | 15.6 | 15.6 | 11.7 | | | | 8.3 | 13.8 | | | | | 7.2 | 12.9 | |
| 650 | 26" | 13.7 | 13.7 | 9.8 | | | | 6.4 | 10.7 | | | | | 5.6 | 10.3 | |
| 700 | 28" | 11.7 | 11.7 | 8.8 | | | | 5.1 | 8.5 | | | | | 4.8 | 8.1 | |
| 750 | 30" | 26.4 | 26.4 | 18.6 | | | | | 7.7 | | | | | | 7.4 | |
| 800 | 32" | 23.5 | 23.5 | 17.6 | | | | | 6.4 | 9.6 | | | | | 6.1 | 9.3 |
| 850 | 34" | 20.5 | 20.5 | 14.7 | | | | | 5.2 | 7.9 | | | | | 5.2 | 7.9 |
| 900 | 36" | 18.6 | 18.6 | 12.7 | | | | | 4.3 | 6.5 | | | | | 4.3 | 6.5 |
| 1000 | 40" | 25.4 | 25.4 | 17.6 | | | | | 3.1 | 4.7 | | | | | 3.1 | 4.7 |
| 1100 | 44" | 21.5 | 21.5 | 14.7 | | | | | | 3.5 | | | | | | 3.4 |
| 1200 | 48" | 17.6 | 17.6 | 12.7 | | | | | | 2.7 | | | | | | 2.6 |
| 1300 | 52" | 15.6 | 15.6 | 10.7 | | | | | | 2.1 | | | | | | 2.1 |
| 1400 | 56" | 13.7 | 13.7 | 9.8 | | | | | | 1.8 | | | | | | 1.8 |
| 1500 | 60" | 11.7 | 11.7 | 8.8 | | | | | | 1.3 | | | | | | 1.3 |

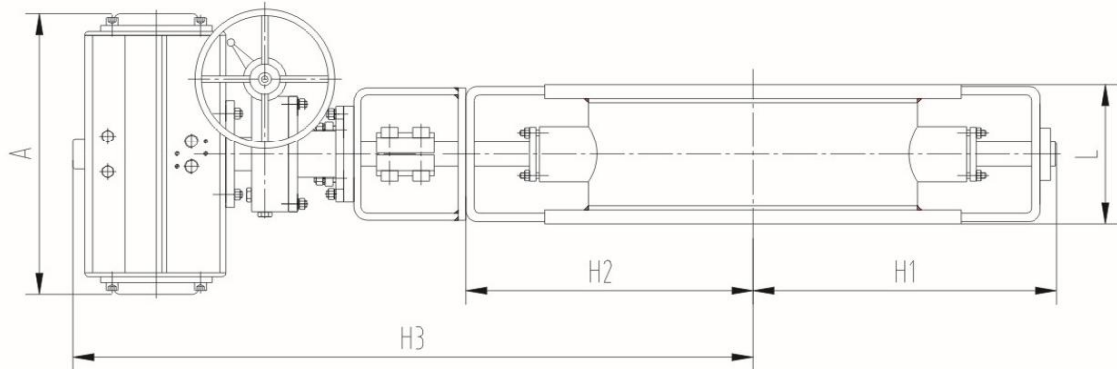
外形尺寸 DIMENSIONS

气动活塞式执行机构 (双作用) Pneumatic piston actuator (double acting)



| DN | IN | L | H1 | H2 | H3 | A | 型号规格 |
|------|-----|-----|------|------|------|-----|--------|
| 80 | 3" | 200 | 165 | 120 | 580 | 250 | DA-085 |
| 100 | 4" | 200 | 180 | 130 | 600 | 250 | DA-085 |
| 125 | 5" | 200 | 200 | 150 | 605 | 250 | DA-085 |
| 150 | 6" | 200 | 215 | 160 | 620 | 290 | DA-110 |
| 200 | 8" | 200 | 245 | 195 | 718 | 290 | DA-110 |
| 250 | 10" | 200 | 280 | 225 | 743 | 290 | DA-110 |
| 300 | 12" | 200 | 310 | 350 | 768 | 345 | DA-125 |
| 350 | 14" | 200 | 335 | 375 | 883 | 345 | DA-125 |
| 400 | 16" | 200 | 375 | 425 | 923 | 345 | DA-125 |
| 450 | 18" | 200 | 400 | 450 | 948 | 345 | DA-125 |
| 500 | 20" | 250 | 425 | 475 | 973 | 438 | DA-160 |
| 550 | 22" | 250 | 450 | 500 | 998 | 438 | DA-160 |
| 600 | 24" | 250 | 485 | 540 | 1048 | 438 | DA-160 |
| 650 | 26" | 250 | 510 | 565 | 1143 | 438 | DA-160 |
| 700 | 28" | 300 | 540 | 585 | 1168 | 487 | DA-190 |
| 750 | 30" | 300 | 575 | 625 | 1193 | 487 | DA-190 |
| 800 | 32" | 400 | 600 | 650 | 1208 | 550 | DA-210 |
| 850 | 34" | 400 | 625 | 675 | 1238 | 550 | DA-210 |
| 900 | 36" | 400 | 650 | 710 | 1268 | 550 | DA-210 |
| 1000 | 40" | 400 | 700 | 760 | 1469 | 660 | DA-250 |
| 1100 | 44" | 400 | 745 | 805 | 1519 | 660 | DA-250 |
| 1200 | 48" | 400 | 810 | 870 | 1569 | 750 | DA-280 |
| 1300 | 52" | 450 | 865 | 925 | 1619 | 750 | DA-280 |
| 1400 | 56" | 450 | 915 | 975 | 1669 | 750 | DA-280 |
| 1500 | 60" | 500 | 980 | 1055 | 1710 | 750 | DA-280 |
| 1600 | 64" | 500 | 1030 | 1100 | 1760 | 750 | DA-280 |

气动活塞式执行机构 (单作用) Pneumatic piston actuator (single action)

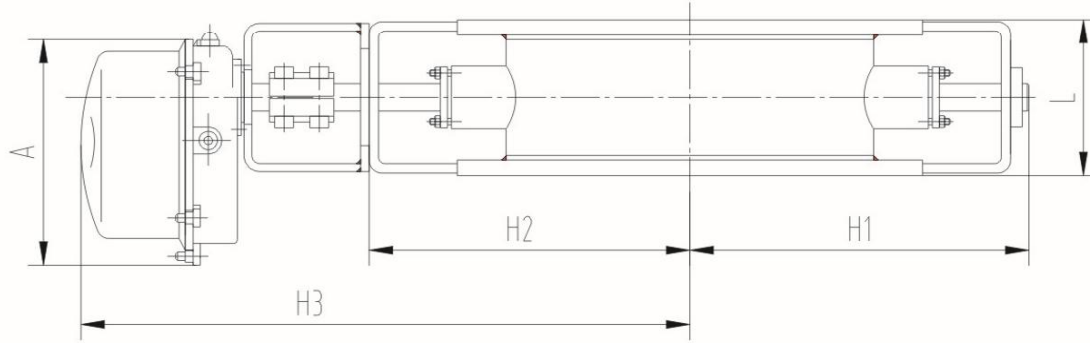


| DN | IN | L | H1 | H2 | H3 | A | 型号规格 |
|------|-----|-----|------|------|------|-----|--------|
| 80 | 3" | 200 | 165 | 120 | 585 | 298 | SR-110 |
| 100 | 4" | 200 | 180 | 130 | 605 | 298 | SR-110 |
| 125 | 5" | 200 | 200 | 150 | 610 | 298 | SR-110 |
| 150 | 6" | 200 | 215 | 160 | 625 | 298 | SR-125 |
| 200 | 8" | 200 | 245 | 195 | 765 | 458 | SR-125 |
| 250 | 10" | 200 | 280 | 225 | 780 | 458 | SR-125 |
| 300 | 12" | 200 | 310 | 350 | 817 | 458 | SR-160 |
| 350 | 14" | 200 | 335 | 375 | 952 | 458 | SR-160 |
| 400 | 16" | 200 | 375 | 425 | 992 | 532 | SR-160 |
| 450 | 18" | 200 | 400 | 450 | 1045 | 532 | SR-210 |
| 500 | 20" | 250 | 425 | 475 | 1070 | 532 | SR-210 |
| 550 | 22" | 250 | 450 | 500 | 1095 | 532 | SR-210 |
| 600 | 24" | 250 | 485 | 540 | 1120 | 532 | SR-210 |
| 650 | 26" | 250 | 510 | 565 | 1260 | 532 | SR-210 |
| 700 | 28" | 300 | 540 | 585 | 1280 | 722 | SR-250 |
| 750 | 30" | 300 | 575 | 625 | 1310 | 722 | SR-250 |
| 800 | 32" | 400 | 600 | 650 | 1355 | 722 | SR-280 |
| 850 | 34" | 400 | 625 | 675 | 1375 | 722 | SR-280 |
| 900 | 36" | 400 | 650 | 710 | 1405 | 722 | SR-280 |
| 1000 | 40" | 400 | 700 | 760 | 1620 | 860 | SR-300 |
| 1100 | 44" | 400 | 745 | 805 | 1670 | 860 | SR-300 |
| 1200 | 48" | 400 | 810 | 870 | 1740 | 860 | SR-350 |
| 1300 | 52" | 450 | 865 | 925 | 1770 | 860 | SR-350 |
| 1400 | 56" | 450 | 915 | 975 | 1810 | 860 | SR-350 |
| 1500 | 60" | 500 | 980 | 1055 | 1865 | 860 | SR-350 |
| 1600 | 64" | 500 | 1030 | 1100 | 1905 | 860 | SR-350 |

BR.W7 系列蝶阀
BR.W7 SERIES BUTTERFLY



全电子式执行机构 Solid state electronic type



| DN | IN | L | H3 | H1 | H2 | A | 型号规格 |
|------|-----|-----|------|-----|-----|-----|--------|
| 80 | 3" | 200 | 820 | 230 | 195 | 260 | RSA-05 |
| 100 | 4" | 200 | 840 | 240 | 205 | | RSA-05 |
| 125 | 5" | 200 | 875 | 260 | 220 | | RSA-05 |
| 150 | 6" | 200 | 910 | 275 | 245 | | RSA-05 |
| 200 | 8" | 200 | 1020 | 360 | 305 | 290 | RSB-20 |
| 250 | 10" | 200 | 1130 | 395 | 340 | | RSB-20 |
| 300 | 12" | 200 | 1170 | 415 | 360 | | RSB-20 |
| 350 | 14" | 200 | 1225 | 440 | 390 | 420 | RSC-30 |
| 400 | 16" | 200 | 1430 | 480 | 430 | | RSC-30 |
| 450 | 18" | 200 | 1490 | 510 | 460 | | RSC-30 |
| 500 | 20" | 250 | 1535 | 490 | 450 | 420 | RSC-60 |
| 550 | 22" | 250 | 1625 | 545 | 510 | | RSC-60 |
| 600 | 24" | 250 | 1665 | 565 | 525 | | RSC-60 |
| 650 | 26" | 250 | 1735 | 610 | 550 | | RSC-60 |
| 700 | 28" | 300 | 1420 | 710 | 650 | 470 | RSD100 |
| 750 | 30" | 300 | 1360 | 670 | 630 | | RSD100 |
| 800 | 32" | 300 | 1385 | 695 | 655 | | RSD100 |
| 850 | 34" | 300 | 1415 | 720 | 680 | | RSD100 |
| 900 | 36" | 300 | 1440 | 750 | 715 | | RSD100 |
| 1000 | 40" | 400 | 1600 | 910 | 870 | | RSD100 |

附录 Appendix

附录A: 阀体的使用温度·压力范围

Appendix A: Valve body temperature and pressure range

| 温度 (℃) | Class 150 | | | | | Class 300 | | | | | Class 600 | | | | |
|-----------|--------------|--------------|---------------|---------------|----------------|--------------|--------------|---------------|---------------|----------------|--------------|--------------|---------------|---------------|----------------|
| | SCPL1 LCB | SCPH2 WCB | SCPH21 WC6 | SCS13A CF8 | SCS14A CF8M | SCPL1 LCB | SCPH2 WCB | SCPH21 WC6 | SCS13A CF8 | SCS14A CF8M | SCPL1 LCB | SCPH2 WCB | SCPH21 WC6 | SCS13A CF8 | SCS14A CF8M |
| -196~38 | - | - | - | 1.90 | 1.90 | - | - | - | 4.95 | 4.95 | - | - | - | 9.91 | 9.92 |
| -45~38 | 1.84 | - | - | 1.90 | 1.90 | 4.78 | - | - | 4.95 | 4.95 | 9.57 | - | - | 9.91 | 9.92 |
| -5~38 | 1.84 | 1.96 | 1.99 | 1.90 | 1.90 | 4.78 | 5.10 | 5.16 | 4.95 | 4.95 | 9.57 | 10.20 | 10.32 | 9.91 | 9.92 |
| 50 | 1.81 | 1.92 | 1.92 | 1.84 | 1.84 | 4.72 | 5.00 | 5.10 | 4.77 | 4.80 | 9.46 | 10.01 | 10.22 | 9.56 | 9.62 |
| 100 | 1.72 | 1.76 | 1.76 | 1.56 | 1.61 | 4.51 | 4.63 | 4.88 | 4.08 | 4.21 | 9.02 | 9.27 | 9.74 | 8.17 | 8.43 |
| 150 | 1.57 | 1.57 | 1.57 | 1.39 | 1.47 | 4.40 | 4.51 | 4.63 | 3.62 | 3.85 | 8.78 | 9.04 | 9.26 | 7.26 | 7.69 |
| 200 | 1.40 | 1.40 | 1.40 | 1.25 | 1.37 | 4.26 | 4.38 | 4.54 | 3.27 | 3.56 | 8.54 | 8.75 | 9.09 | 6.54 | 7.12 |
| 250 | 1.20 | 1.20 | 1.20 | 1.16 | 1.20 | 4.05 | 4.16 | 4.44 | 3.04 | 3.34 | 8.11 | 8.33 | 8.88 | 6.10 | 6.67 |
| 300 | 1.01 | 1.01 | 1.01 | 1.01 | 1.01 | 3.76 | 3.87 | 4.23 | 2.91 | 3.15 | 7.54 | 7.74 | 8.48 | 5.80 | 6.32 |
| 350 | 0.84 | 0.84 | 0.84 | 0.84 | 0.84 | 3.59 | 3.69 | 4.01 | 2.81 | 3.03 | 7.18 | 7.38 | 8.04 | 5.60 | 6.07 |
| 375 | | 0.73 | 0.73 | 0.73 | 0.73 | | 3.64 | 3.88 | 2.77 | 2.96 | | 7.28 | 7.75 | 5.54 | 5.93 |
| 400 | | 0.64 | 0.64 | 0.64 | 0.64 | | 3.44 | 3.65 | 2.74 | 2.91 | | 6.89 | 7.31 | 5.48 | 5.81 |
| 425 | | 0.55 | 0.55 | 0.55 | 0.55 | | 2.88 | 3.50 | 2.71 | 2.87 | | 5.74 | 7.01 | 5.42 | 5.72 |
| 440 | | 0.47 | 0.47 | 0.47 | 0.47 | | 1.99 | 3.38 | 2.68 | 2.81 | | 4.00 | 6.75 | 5.37 | 5.61 |
| 475 | | 0.37 | 0.37 | 0.37 | 0.37 | | 1.35 | 3.16 | 2.65 | 2.73 | | 2.70 | 6.32 | 5.30 | 5.46 |
| 500 | | 0.28 | 0.28 | 0.28 | 0.28 | | 0.88 | 2.77 | 2.60 | 2.67 | | 1.75 | 5.55 | 5.20 | 5.37 |
| 525 | | 0.18 | 0.18 | 0.18 | 0.18 | | 0.51 | 2.02 | 2.19 | 2.57 | | 1.03 | 4.04 | 4.77 | 5.15 |
| 538 | | 0.13 | 0.15 | 0.15 | 0.15 | | 0.34 | 1.63 | 2.18 | 2.53 | | 0.72 | 3.26 | 4.55 | 5.06 |

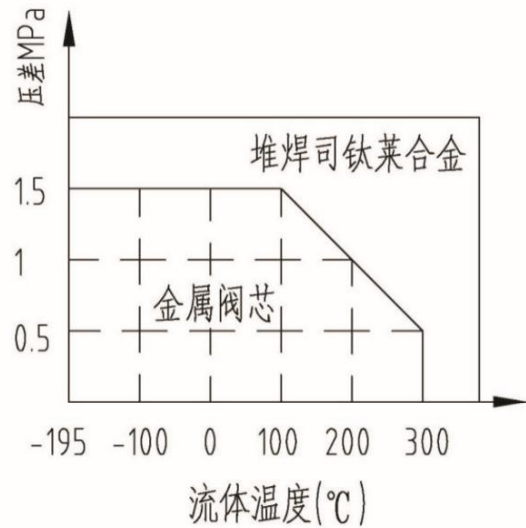
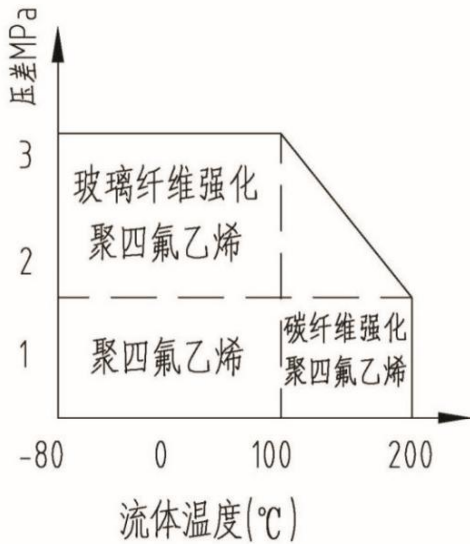
BR.W7 系列蝶阀
BR.W7 SERIES BUTTERFLY



| 温度 (℃) | Class 900 | | | | | | Class 1500 | | | | | | Class 2500 | | | | | |
|-----------|-----------|-------------|------------|------------|-------------|--------------|------------|-------------|------------|------------|-------------|--------------|------------|-------------|------------|------------|-------------|--------------|
| | SCPL1 | SCPH2 | SCPH21 | SCPH32 | SCS13A | SCS14A | SCPL1 | SCPH2 | SCPH21 | SCPH32 | SCS13A | SCS14A | SCPL1 | SCPH2 | SCPH21 | SCPH32 | SCS13A | SCS14A |
| | LCB | A105 WCB | F11 WC6 | F22 WC9 | F304 CF8 | F316 CF8M | LCB | A105 WCB | F11 WC6 | F22 WC9 | F304 CF8 | F316 CF8M | LCB | A105 WCB | F11 WC6 | F22 WC9 | F304 CF8 | F316 CF8M |
| -196~38 | - | - | - | - | 14.88 | 14.88 | - | - | - | - | 24.79 | 24.79 | - | - | - | - | 41.33 | 41.34 |
| -45~38 | 14.35 | - | - | - | 14.88 | 14.88 | 23.92 | - | - | - | 24.79 | 24.79 | 39.87 | - | - | - | 41.33 | 41.34 |
| -5~38 | 14.35 | 15.31 | 15.50 | 15.50 | 14.88 | 14.88 | 23.92 | 25.51 | 25.84 | 25.84 | 24.79 | 24.79 | 39.87 | 42.52 | 43.07 | 43.07 | 41.33 | 41.34 |
| 50 | 14.18 | 15.01 | 15.33 | 15.35 | 14.34 | 14.43 | 23.64 | 25.02 | 25.55 | 25.58 | 23.90 | 24.04 | 39.40 | 41.70 | 42.59 | 42.64 | 39.84 | 40.07 |
| 100 | 13.52 | 13.90 | 14.62 | 14.70 | 12.25 | 12.65 | 22.53 | 23.16 | 24.36 | 24.50 | 20.42 | 21.09 | 37.56 | 38.62 | 40.61 | 40.85 | 34.01 | 35.14 |
| 150 | 13.18 | 13.56 | 13.90 | 13.98 | 10.89 | 11.54 | 21.96 | 22.60 | 23.18 | 23.30 | 18.16 | 19.24 | 36.60 | 37.66 | 38.61 | 38.84 | 30.26 | 32.07 |
| 200 | 12.79 | 13.14 | 13.63 | 13.45 | 9.82 | 10.69 | 21.32 | 21.89 | 22.73 | 22.40 | 16.37 | 17.83 | 35.53 | 36.50 | 37.88 | 37.35 | 27.28 | 29.71 |
| 250 | 12.17 | 12.51 | 13.33 | 13.26 | 9.15 | 10.02 | 20.28 | 20.84 | 22.22 | 22.10 | 15.26 | 16.68 | 33.80 | 34.75 | 37.03 | 36.83 | 25.43 | 27.80 |
| 300 | 11.30 | 11.61 | 12.72 | 12.72 | 8.71 | 9.49 | 18.84 | 19.36 | 21.20 | 21.20 | 14.52 | 15.80 | 31.40 | 32.26 | 35.33 | 35.33 | 24.20 | 26.34 |
| 350 | 10.78 | 11.08 | 12.06 | 12.06 | 8.42 | 9.12 | 17.96 | 18.46 | 20.11 | 20.11 | 14.02 | 15.20 | 29.95 | 30.78 | 33.51 | 33.51 | 23.36 | 25.36 |
| 375 | | 10.94 | 11.63 | 11.63 | 8.32 | 8.91 | | 18.22 | 19.38 | 19.38 | 13.86 | 14.84 | | 30.37 | 32.32 | 32.32 | 23.12 | 24.74 |
| 400 | | 10.34 | 10.98 | 10.98 | 8.23 | 8.72 | | 17.24 | 18.28 | 18.28 | 13.72 | 14.55 | | 28.73 | 30.47 | 30.47 | 22.87 | 24.25 |
| 425 | | 8.62 | 10.53 | 10.53 | 8.14 | 8.59 | | 14.37 | 17.54 | 17.54 | 13.57 | 14.32 | | 23.94 | 29.23 | 29.23 | 22.63 | 23.87 |
| 440 | | 6.01 | 10.13 | 10.13 | 8.06 | 8.42 | | 10.02 | 16.89 | 16.89 | 13.42 | 14.03 | | 16.68 | 28.16 | 28.16 | 22.37 | 23.38 |
| 475 | | 4.06 | 9.50 | 9.50 | 7.97 | 8.20 | | 6.76 | 15.82 | 15.82 | 13.27 | 13.67 | | 11.28 | 26.36 | 26.36 | 22.13 | 22.79 |
| 500 | | | 8.33 | 8.33 | 7.81 | 8.05 | | | 13.89 | 13.89 | 13.02 | 13.40 | | | 23.15 | 23.15 | 21.71 | 22.34 |
| 525 | | | 6.08 | 6.58 | 7.15 | 7.73 | | | 10.12 | 10.96 | 11.94 | 12.89 | | | 16.88 | 18.26 | 19.88 | 21.47 |
| 550 | | | 3.83 | 4.91 | 6.54 | 7.49 | | | 6.38 | 8.17 | 10.91 | 12.48 | | | 10.63 | 13.63 | 18.17 | 20.79 |
| 575 | | | 2.55 | 3.51 | 6.02 | 7.22 | | | 4.24 | 5.85 | 10.04 | 12.04 | | | 7.08 | 9.74 | 16.72 | 20.07 |
| 600 | | | 1.75 | 2.29 | 5.01 | 6.43 | | | 2.94 | 3.82 | 8.35 | 10.71 | | | 4.90 | 6.36 | 13.92 | 17.85 |
| 625 | | | | | 3.92 | 5.48 | | | | | 6.54 | 9.12 | | | | | 10.89 | 15.20 |
| 650 | | | | | 3.16 | 4.23 | | | | | 5.25 | 7.06 | | | | | 8.75 | 11.76 |
| 675 | | | | | 2.33 | 3.78 | | | | | 3.88 | 6.31 | | | | | 6.45 | 10.53 |

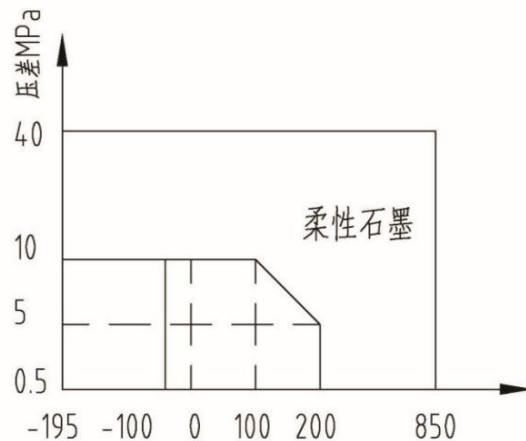
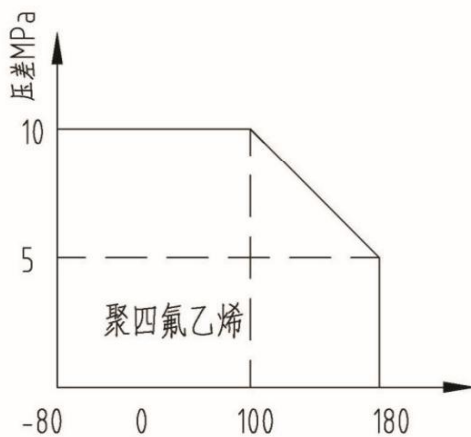
附录B：阀内件、填料的使用温度·压力范围
Appendix B: Valve Trim、Packing temperature and pressure range

阀内件使用温度·压力范围 Valve Trim temperature and pressure range



05

填料的使用温度·压力范围 Packing temperature and pressure range



附录C：常用材料牌号对照表
Appendix C: Comparison table of commonly used material grades

| 材料 | 中国 GB | 美国 ANSI ASTM | 日本 JIS | 德国 DIN |
|----------|----------------|-----------------|----------------|-----------|
| 不锈钢 (棒材) | 06CR19NI10 | 304,S30400 | SUS 304 | 1.4301 |
| | 06CR17NI12MO2 | 316,S31600 | SUS 316 | 1.4408 |
| | 022CR19NI10 | 304L,S30403 | SUS 304L | 1.4306 |
| | 022CR17NI12MO2 | 316L,S31603 | SUS 316L | 1.4404 |
| | 12CR13 | 410,S41000 | SUS 410 | 1.4006 |
| | 05CR17NI4CUNB | 630,S17400 | SUS 630 | |
| 不锈钢 (铸件) | CF8 | CF8 | SCS13 、 SCS13A | |
| | CF8M | CF8M | SCS14 、 SCS14A | |
| | CF3 | CF3 | | |
| | CF3M | CF3M | | |
| 碳钢 (铸件) | LCB | LCB | | |
| | WCB | WCB | SCPH2 | |
| | WCC | WCC | SCPH21 | |
| | WC6 | WC6 | | |

附录D：常用材料选用表

Appendix D: Selection list of common materials

| 材料名称 流体名称 | 碳钢 | 铸钢 | 302 304 不锈钢 | 316 不锈钢 | 铜 | 蒙乃尔 合金 (Monel) | 哈氏 合金 (HB) | 哈氏 合金 (HC) | Duri- met- 20 | 钛材 | 钴基 合金 -6 | 416 不锈钢 | 440C 不锈钢 | 17-4 PH 不锈钢 |
|--------------|-----|----|-------------------|------------|-----|----------------------|------------------|------------------|---------------------|-----|----------------|------------|-------------|-------------------|
| 乙醛 | A | A | A | A | A | A | I、L | A | A | I、L | I、L | A | A | A |
| 醋酸(气) | C | C | B | B | B | B | A | A | A | A | A | C | C | B |
| 醋酸(气化) | C | C | A | A | A | A | A | A | A | A | A | C | C | B |
| 醋酸(蒸汽) | C | C | A | A | B | B | I、L | A | B | A | A | C | C | B |
| 丙酮 | A | A | A | A | A | A | A | A | A | A | A | A | A | A |
| 乙炔 | A | A | A | A | I、L | A | A | A | A | I、L | A | A | A | A |
| 醇 | A | A | A | A | A | A | A | A | A | A | A | A | A | A |
| 硫酸铅 | C | C | A | A | B | B | A | A | A | A | I、L | C | C | I、L |
| 氨 | A | A | A | A | C | A | A | A | A | A | A | A | A | I、L |
| 氯化铵 | C | C | B | B | B | B | A | A | A | A | B | C | C | I、L |
| 硝(酸)铵 | A | C | A | A | C | C | A | A | A | A | A | C | B | I、L |
| 磷酸铵(单基) | C | C | A | A | B | B | A | A | B | A | A | B | B | I、L |
| 硫酸铵 | C | C | B | A | B | A | A | A | A | A | A | C | C | I、L |
| 亚硫酸铵 | C | C | A | A | C | C | I、LA | A | A | A | A | B | B | I、L |
| 苯胺 | C | C | A | A | C | B | A | A | A | A | A | C | C | I、L |
| 苯 | A | A | A | A | A | A | A | A | A | A | A | A | A | A |
| 苯甲酸 | C | C | A | A | A | A | I、L | A | A | A | I、L | A | A | A |
| 硼酸 | C | C | A | A | A | A | A | A | A | A | A | B | B | I、L |
| 丁烷 | A | A | A | A | A | A | A | A | A | I、L | A | A | A | A |
| 氯化钙 | B | B | C | B | C | A | A | A | A | A | I、L | C | C | I、L |
| 石炭酸 | B | B | A | A | A | A | A | A | A | A | A | I、L | I、L | I、L |
| 二氧化碳(干) | A | A | A | A | A | A | A | A | A | A | A | A | A | A |
| 二氧化碳(湿) | C | C | A | A | B | A | A | A | A | A | A | A | A | A |
| 二氧化碳 | A | A | A | A | C | B | A | A | A | A | A | B | B | I、L |
| 四氯化碳 | B | B | B | B | A | A | B | A | A | A | I、L | C | A | I、L |
| 碳酸 | C | C | B | B | B | A | A | A | A | I、L | I、L | A | A | A |
| 氯气(干) | A | A | B | B | B | A | A | A | A | C | B | C | C | C |
| 氯气(湿) | C | C | C | C | C | C | C | B | C | A | B | C | C | C |
| 氯气(液态) | C | C | C | C | B | C | C | A | B | C | B | C | C | C |
| 铬酸 | C | C | C | B | C | A | C | A | C | A | B | C | C | C |
| 焦炉气 | A | A | A | A | B | B | A | A | A | A | A | A | A | A |
| 硫酸铜 | C | C | B | B | B | C | I、L | A | A | A | I、L | A | A | A |
| 乙烷 | A | A | A | A | A | A | A | A | A | A | A | A | A | A |
| 醚 | B | B | A | A | A | A | A | A | A | A | A | A | A | A |
| 氯乙烷 | C | C | A | A | A | A | A | A | A | A | A | B | B | I、L |
| 乙烯 | A | A | A | A | A | A | A | A | A | A | A | A | A | A |
| 乙二醇 | A | A | A | A | A | A | I、L | I、L | A | I、L | A | A | A | A |
| 氯化铁 | C | C | C | C | C | C | C | B | C | A | B | C | C | I、L |
| 甲醛 | B | B | A | A | A | A | A | A | A | A | A | A | A | A |
| 甲酸 | I、L | C | B | B | A | A | A | A | A | C | B | C | C | B |
| 氟里昂(湿) | B | B | B | A | A | A | A | A | A | A | A | I、L | I、L | I、L |
| 氟里昂(干) | B | B | A | A | A | A | A | A | A | A | A | I、L | I、L | I、L |
| 糖醛 | A | A | A | A | A | A | A | A | A | A | A | B | B | I、L |
| 汽油(精制) | A | A | A | A | A | A | A | A | A | A | A | A | A | A |
| 盐酸(气化) | C | C | C | C | C | C | A | B | C | C | B | C | C | C |
| 盐酸(游离) | C | C | C | C | C | C | A | B | C | C | B | C | C | C |

BR.W7 系列蝶阀
BR.W7 SERIES BUTTERFLY



| 材料名称 流体名称 | 碳钢 | 铸钢 | 302 304 不锈钢 | 316 不锈钢 | 铜 | 蒙乃尔 合金 (Monel) | 哈氏 合金 (HB) | 哈氏 合金 (HC) | Duri- met- 20 | 钛材 | 钴基 合金 -6 | 416 不锈钢 | 440C 不锈钢 | 17-4 PH 不锈钢 |
|--------------|-----|----|-------------------|------------|-----|----------------------|------------------|------------------|---------------------|-----|----------------|------------|-------------|-------------------|
| 氢氟酸 (气化) | B | C | C | B | C | C | A | A | B | C | B | C | C | C |
| 游氢氟酸 (离) | A | C | C | B | C | A | A | A | B | C | I、L | C | C | I、L |
| 氢气 | A | A | A | A | A | A | A | A | A | A | A | A | A | A |
| 过氧化氢 | I、L | A | A | A | C | A | B | B | A | A | I、L | B | B | I、L |
| 硫化氢 (液体) | C | C | A | A | C | C | A | A | B | A | A | C | C | I、L |
| 氢氧化镁 | A | A | A | A | B | A | A | A | A | A | A | A | A | I、L |
| 甲基-乙基甲酮 | A | A | A | A | A | A | A | A | A | I、L | A | A | A | A |
| 丁酮 | A | A | A | A | A | A | A | A | A | I、L | A | A | A | A |
| 天然气 | A | A | A | A | A | A | A | A | A | A | A | A | A | A |
| 硝酸 | C | C | A | B | C | C | C | B | A | A | C | C | C | B |
| 草酸 | C | C | B | B | B | B | A | A | A | B | B | B | B | I、L |
| 氧气 | A | A | A | A | A | A | A | A | A | A | A | A | A | A |
| 甲醇 | A | A | A | A | A | A | A | A | A | A | A | A | B | A |
| 石油润滑油 (精制) | A | A | A | A | A | A | A | A | A | A | A | A | A | A |
| 磷酸 (气化) | C | C | A | A | C | C | A | A | A | B | A | C | C | I、L |
| 磷酸 (游离) | C | C | A | A | C | B | A | A | A | B | A | C | C | I、L |
| 磷酸蒸汽 | C | C | B | B | C | C | A | I、L | A | B | C | C | I、L | |
| 苦味酸 | C | C | A | A | C | C | A | A | A | I、L | I、L | B | B | I、L |
| 亚氯酸钾 | B | B | A | A | B | B | A | A | A | A | I、L | C | C | I、L |
| 氢氧化钾 | B | B | A | A | B | A | A | A | A | A | I、L | B | B | I、L |
| 丙烷 | A | A | A | A | A | A | A | A | A | A | A | A | A | A |
| 松香、松脂 | B | B | A | A | A | A | A | A | A | I、L | A | A | A | A |
| 醋酸钠 | A | A | B | A | A | A | A | A | A | A | A | A | A | A |
| 碳酸钠 | A | A | A | A | A | A | A | A | A | A | A | B | B | A |
| 氯化钠 | C | C | B | B | A | A | A | A | A | A | A | B | B | B |
| 铬酸钠 | A | A | A | A | A | A | A | A | A | A | A | A | A | A |
| 氢氧化钠 | A | A | A | A | C | A | A | A | A | A | A | B | B | A |
| 次氯酸钠 | C | C | C | C | B-C | B-C | C | A | B | A | I、L | C | C | I、L |
| 硫代硫酸钠 | C | C | A | A | C | C | A | A | A | A | I、L | B | B | I、L |
| 二氯化锡 | B | B | C | A | C | B | A | A | A | A | I、L | C | C | I、L |
| 硬脂酸 | A | C | A | A | B | B | A | A | A | A | B | B | B | I、L |
| 硫酸盐溶液 | A | A | A | A | C | A | A | A | A | A | A | I、L | I、L | I、L |
| 二硫化氧 (干) | A | A | A | A | A | A | B | A | A | A | A | B | B | I、L |
| 二氧化硫 (干) | A | A | A | A | A | A | B | A | A | A | A | B | B | I、L |
| 硫酸 (气化) | C | C | C | C | C | C | A | A | A | B | B | C | C | C |
| 硫酸 (游离) | C | C | C | C | B | B | A | A | A | B | B | C | C | C |
| 亚硫酸 | C | C | B | B | B | C | A | A | A | A | B | C | C | I、L |
| 焦油 | A | A | A | A | A | A | A | A | A | A | A | A | A | A |
| 三氯乙烯 | B | B | B | A | A | A | A | A | A | A | A | B | B | I、L |
| 松节油 | B | B | A | A | A | B | A | A | A | A | A | A | A | A |
| 醋 | C | C | A | A | B | A | A | A | A | I、L | A | C | C | A |
| 水 (锅炉供水) | B | C | A | A | C | A | A | A | A | A | A | B | A | A |
| 水 (蒸馏水) | A | A | A | A | A | A | A | A | A | A | A | B | B | I、L |
| 海水 | B | B | B | B | A | A | A | A | A | A | A | C | C | A |
| 氯化锌 | C | C | C | C | C | C | A | A | A | A | B | C | C | I、L |
| 硫酸锌 | C | C | A | A | B | A | A | A | A | A | A | B | B | I、L |

注：A— 推荐使用； B— 小心使用； C— 不能使用； I、L— 缺乏资料。

Note: A- Recommended; B- Use with care; C- unusable; I, L- Lack of information.

附录E:型号编制说明 Appendix E: Model specification

型号编制 Model establishment

BR.W7

| | | | | | | | | | |
|---|---|----|---|---|---|---|---|---|----|
| 1 | 2 | -3 | 4 | 5 | 6 | 7 | 8 | 9 | 10 |
|---|---|----|---|---|---|---|---|---|----|

型号简易编制 Simple model formulation

BR.W7

| | | | |
|---|---|----|---|
| 1 | 2 | -3 | 4 |
|---|---|----|---|

| 1 代号 | 阀门类型 | | | 5 代号 | 公称通径 | | 8 代号 | 阀体材质 | |
|---------|--------|----|-----|---------|---------|-------|---------|----------|----------------------|
| | | | | | mm | 代号 | | | Inch |
| 1F | 衬里蝶阀 | | | 50 | 50 | 2 | 2 | C | 碳钢 (WCB WCC) |
| 2W | 二偏心蝶阀 | | | 65 | 65 | 2-1/2 | 2-1/2 | P | 不锈钢 (CF8 CF3) |
| 3E | 三偏心蝶阀 | | | 80 | 80 | 3 | 3 | R | 不锈钢 (CF8M CF3M) |
| 4C | 四连杆蝶阀 | | | 100 | 100 | 4 | 4 | W | 铬钼钢 (WC6 WC9) |
| 6S | 低负载蝶阀 | | | 125 | 125 | 5 | 5 | F | 衬氟 / 衬胶 (F46 EPDM) |
| X | 其他特殊要求 | | | 150 | 150 | 6 | 6 | X | 其他特殊要求 |
| | | | | 200 | 200 | 8 | 8 | | |
| | | | | 250 | 250 | 10 | 10 | | |
| 2 代号 | 阀盖型式 | | | 250 | 250 | 10 | 10 | 9 代号 | 内件材质 |
| 1 | 标准型 | | | 300 | 300 | 12 | 12 | 1 | |
| 2 | 散热型 | | | 350 | 350 | 14 | 14 | 2 | 不锈钢 / STL |
| 3 | 低温型 | | | 400 | 400 | 16 | 16 | 3 | 不锈钢 / 热处理 |
| 4 | 夹套保温型 | | | 450 | 450 | 18 | 18 | 4 | 不锈钢 / PTFE |
| X | 其他特殊要求 | | | 500 | 500 | 20 | 20 | 4 | 不锈钢 / PTFE |
| | | | | 600 | 600 | 24 | 24 | 5 | 衬氟 / 衬胶 |
| | | | | 700 | 700 | 28 | 28 | X | 其他特殊要求 |
| | | | | 800 | 800 | 32 | 32 | | |
| 3 代号 | 公称压力 | | 代号 | CLASS | 6 代号 | 连接型式 | | 10 代号 | 特殊要求 |
| 6 | Mpa | A0 | 75 | F | | | | | |
| 10 | 1.0 | A1 | 150 | W | 焊接式 | O | 禁油禁水 | | |
| 16 | 1.6 | A3 | 300 | M | 对夹式 | T | 禁铜 | | |
| 25 | 2.5 | A4 | 400 | X | 其他特殊要求 | X | 其他特殊要求 | | |
| 40 | 4.0 | A6 | 600 | | | | | | |
| 4 代号 | 作用方式 | | | 7 代号 | 执行机构 | | | | |
| K | 气开 | | | | | | | | Z |
| B | 气关 | | | D | 电动式电子式 | | | | |
| T | 电动 | | | S | 手动式 | | | | |
| S | 手动 | | | X | 其他特殊要求 | | | | |
| X | 其他特殊要求 | | | | | | | | |

示例 Example:

BR.W72W1-16K400MZP10

BR.W72W 系列二偏心蝶阀, 标准型阀盖, 公称压力 PN16, 气开型, 公称通径 DN400, 对夹式连接, 气动活塞式执行机构, 阀体材质不锈钢, 内件材质不锈钢, 禁油禁水处理。

BR.W72W Series double eccentric butterfly valve, standard cover, nominal pressure PN16, gas open, nominal diameter DN400, wafer connection, pneumatic piston actuator, body material stainless steel, inner material stainless steel, oil and water treatment.

BR.W73E1-25K

BR.W73E 系列三偏心蝶阀, 标准型阀盖, 公称压力 PN25, 气开型。

BR. W73E Series three eccentric butterfly valves, standard cover, nominal pressure PN25, air open type.

浙江蓝圣智能装备有限公司

ZHEJIANG LASEN INTELLIGENT EQUIPMENT CO.,LTD

地 址：浙江省杭州市富阳区场口工业区马山路15号

邮 编：311411

传 真：0571-23291611

电 话：0571-23252111

网 址：www.lasen.com.cn

E-mail：hzlasen@lasen.com.cn